



# MINNESOTA DEPT OF TRANSPORTATION

## TRAFFIC DATA COLLECTION - METRO

TH 52 E RAMP @ E CONCORD ST 2006  
 REF. PT.:120+00.943  
 JAMAR# T-1386/S.K.  
 TURN MOVEMENT COUNT

File Name : TH 52 E RAMP @ E CONCORD ST 2006  
 Site Code : 00000000  
 Start Date : 8/9/2006  
 Page No : 1

### Groups Printed- CARS & TRUCKS

Start Time	N/A Southbound				E CONCORD ST Westbound				TH 52 EAST RAMP Northbound				E CONCORD ST Eastbound				Int. Total
	Left	Thru	Right	Peds	Left	Thru	Right	Peds	Left	Thru	Right	Peds	Left	Thru	Right	Peds	
06:00	0	0	0	0	0	24	44	0	10	0	2	0	19	37	0	0	136
06:15	0	0	0	0	0	23	40	0	9	0	4	0	30	75	0	0	181
06:30	0	0	0	0	0	30	42	0	28	0	4	0	36	131	0	0	271
06:45	0	0	0	0	0	36	53	0	37	0	12	0	24	124	0	0	286
Total	0	0	0	0	0	113	179	0	84	0	22	0	109	367	0	0	874
07:00	0	0	0	0	0	25	64	0	26	1	10	0	30	61	0	0	217
07:15	0	0	0	0	0	58	62	0	37	0	4	0	22	85	0	0	268
07:30	0	0	0	0	0	61	71	0	46	1	9	0	23	70	0	0	281
07:45	0	0	0	0	0	43	58	0	50	0	7	0	16	108	0	0	282
Total	0	0	0	0	0	187	255	0	159	2	30	0	91	324	0	0	1048
08:00	0	0	0	0	0	31	38	0	32	0	8	0	27	100	0	0	236
08:15	0	0	0	0	0	43	48	0	36	0	9	0	29	64	0	0	229
08:30	0	0	0	0	0	46	59	0	33	0	6	0	28	80	0	0	252
08:45	0	0	0	0	0	26	51	0	29	0	11	0	31	77	0	0	225
Total	0	0	0	0	0	146	196	0	130	0	34	0	115	321	0	0	942
11:00	0	0	0	0	0	37	44	0	20	0	14	0	40	79	0	0	234
11:15	0	0	0	0	0	40	57	0	12	1	7	0	35	75	0	0	227
11:30	0	0	0	0	0	48	42	0	11	0	15	0	41	90	0	0	247
11:45	0	0	0	0	0	39	65	0	18	0	12	0	53	81	0	0	268
Total	0	0	0	0	0	164	208	0	61	1	48	0	169	325	0	0	976
12:00	0	0	0	0	0	39	54	0	24	0	8	0	51	64	0	0	240
12:15	0	0	0	0	0	34	61	0	28	0	6	0	47	87	0	0	263
12:30	0	0	0	0	0	48	71	0	21	0	9	0	37	86	0	0	272
12:45	0	0	0	0	0	38	54	0	18	0	7	0	55	104	0	0	276
Total	0	0	0	0	0	159	240	0	91	0	30	0	190	341	0	0	1051
15:00	0	0	0	0	0	42	80	0	21	0	8	0	42	103	0	0	296
15:15	0	0	0	0	0	35	83	0	18	0	9	0	49	103	0	0	297
15:30	0	0	0	0	0	58	107	0	25	0	5	0	47	106	0	0	348
15:45	0	0	0	0	0	48	62	0	31	0	13	0	43	126	0	0	323
Total	0	0	0	0	0	183	332	0	95	0	35	0	181	438	0	0	1264
16:00	0	0	0	0	0	45	70	0	22	0	11	0	44	141	0	0	333
16:15	0	0	0	0	0	51	70	0	17	0	8	0	43	125	0	0	314
16:30	0	0	0	0	0	59	93	2	30	1	5	0	59	155	0	0	404
16:45	0	0	0	0	0	48	65	0	29	0	11	0	40	154	4	0	351
Total	0	0	0	0	0	203	298	2	98	1	35	0	186	575	4	0	1402
17:00	0	0	0	0	0	44	80	0	25	0	2	0	46	139	0	0	336
17:15	0	0	0	0	0	31	65	0	24	0	9	0	48	110	0	0	287
17:30	0	0	0	0	0	35	55	0	16	0	10	0	38	111	0	0	265
17:45	0	0	0	0	0	44	65	0	28	0	8	0	51	87	0	0	283
Total	0	0	0	0	0	154	265	0	93	0	29	0	183	447	0	0	1171
Grand Total	0	0	0	0	0	1309	1973	2	811	4	263	0	1224	3138	4	0	8728
Apprch %	0	0	0	0	0	39.9	60.1	0.1	75.2	0.4	24.4	0	28	71.9	0.1	0	
Total %	0	0	0	0	0	15	22.6	0	9.3	0	3	0	14	36	0	0	



# MINNESOTA DEPT OF TRANSPORTATION

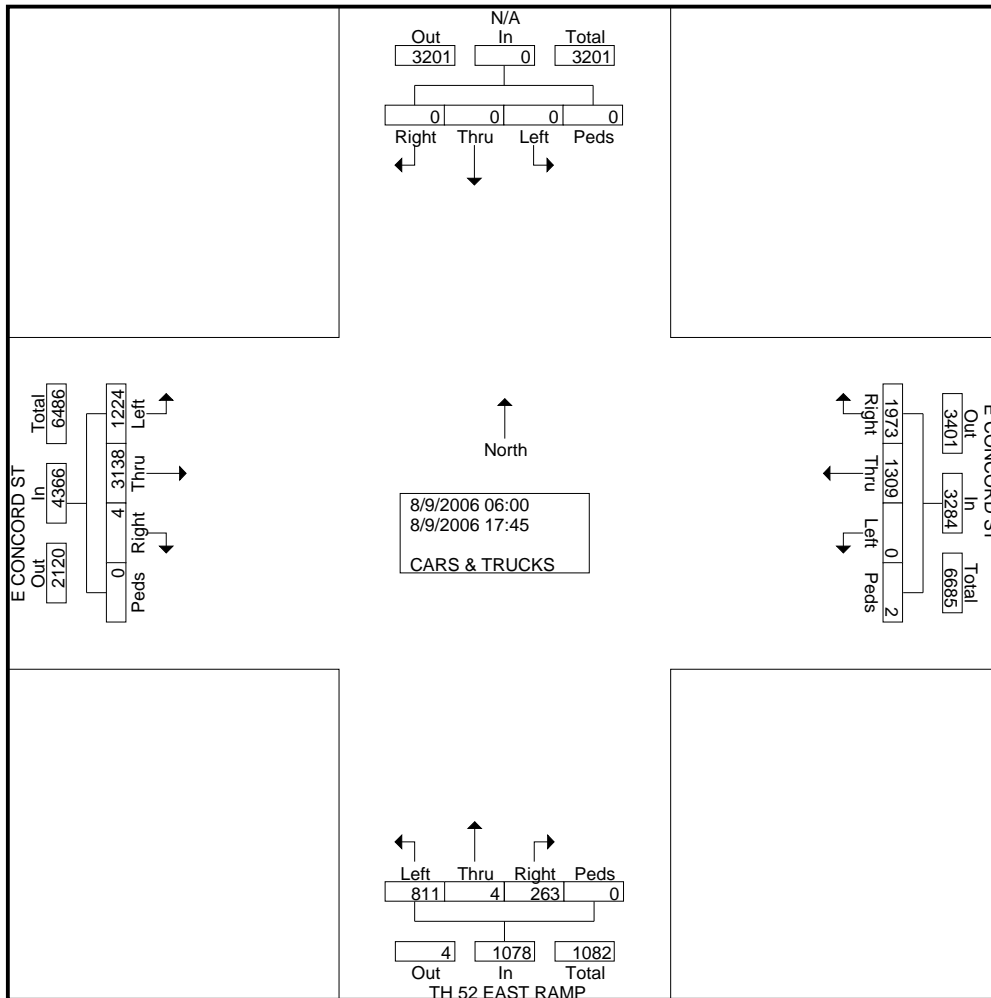
TRAFFIC DATA COLLECTION - METRO

File Name : TH 52 E RAMP @ E CONCORD ST 2006

Site Code : 00000000

Start Date : 8/9/2006

Page No : 2





# MINNESOTA DEPT OF TRANSPORTATION

TRAFFIC DATA COLLECTION - METRO

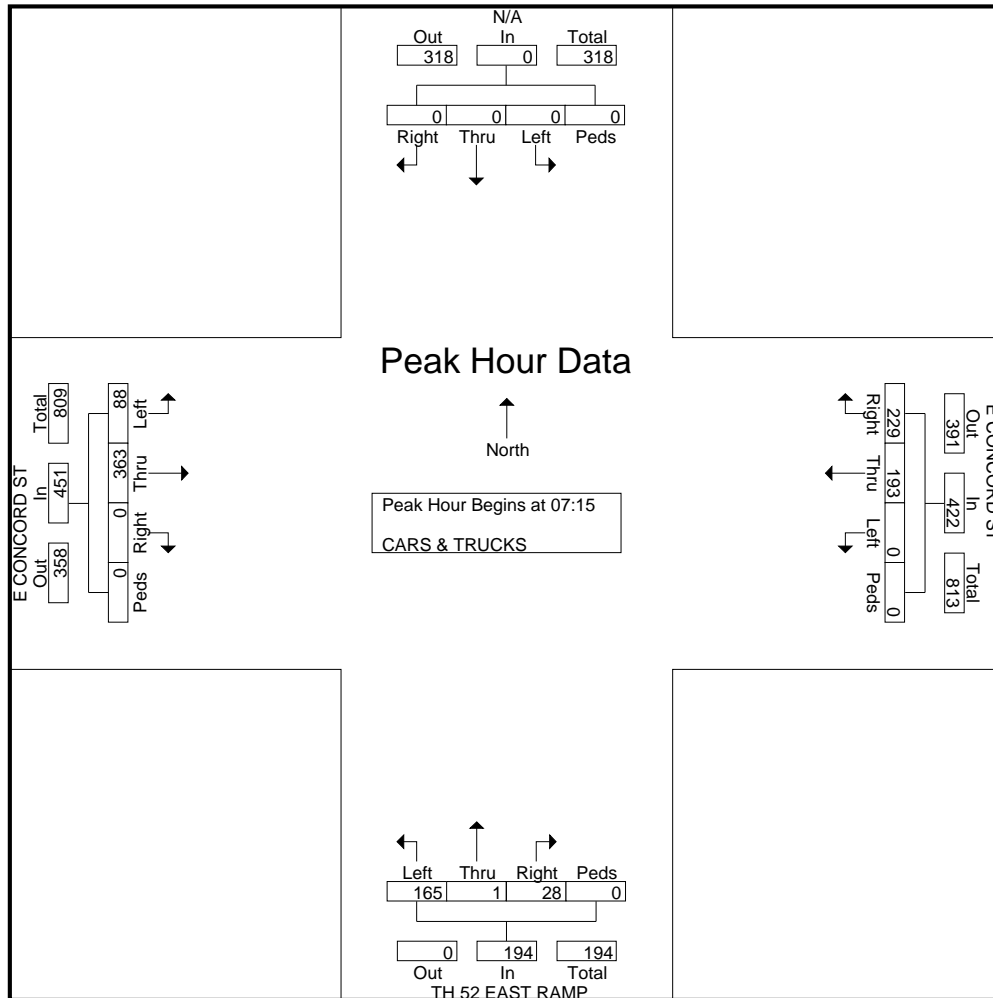
File Name : TH 52 E RAMP @ E CONCORD ST 2006

Site Code : 00000000

Start Date : 8/9/2006

Page No : 3

Start Time	N/A Southbound					E CONCORD ST Westbound					TH 52 EAST RAMP Northbound					E CONCORD ST Eastbound					Int. Total
	Left	Thru	Right	Peds	App. Total	Left	Thru	Right	Peds	App. Total	Left	Thru	Right	Peds	App. Total	Left	Thru	Right	Peds	App. Total	
Peak Hour Analysis From 06:00 to 09:45 - Peak 1 of 1																					
Peak Hour for Entire Intersection Begins at 07:15																					
07:15	0	0	0	0	0	0	58	62	0	120	37	0	4	0	41	22	85	0	0	107	268
07:30	0	0	0	0	0	0	61	71	0	132	46	1	9	0	56	23	70	0	0	93	281
07:45	0	0	0	0	0	0	43	58	0	101	50	0	7	0	57	16	108	0	0	124	282
08:00	0	0	0	0	0	0	31	38	0	69	32	0	8	0	40	27	100	0	0	127	236
Total Volume	0	0	0	0	0	0	193	229	0	422	165	1	28	0	194	88	363	0	0	451	1067
% App. Total	0	0	0	0	0	0	45.7	54.3	0		85.1	0.5	14.4	0		19.5	80.5	0	0		
PHF	.000	.000	.000	.000	.000	.000	.791	.806	.000	.799	.825	.250	.778	.000	.851	.815	.840	.000	.000	.888	.946





# MINNESOTA DEPT OF TRANSPORTATION

TRAFFIC DATA COLLECTION - METRO

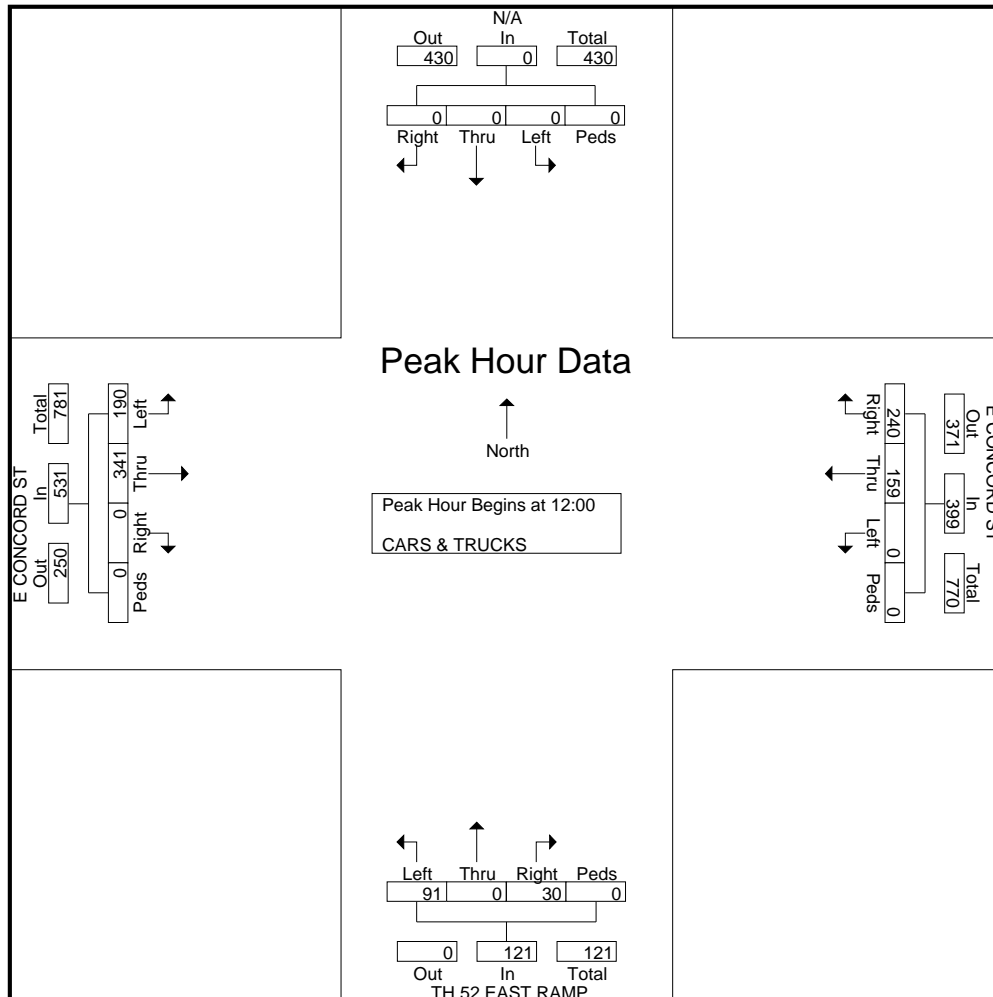
File Name : TH 52 E RAMP @ E CONCORD ST 2006

Site Code : 00000000

Start Date : 8/9/2006

Page No : 4

Start Time	N/A Southbound					E CONCORD ST Westbound					TH 52 EAST RAMP Northbound					E CONCORD ST Eastbound					Int. Total
	Left	Thru	Right	Peds	App. Total	Left	Thru	Right	Peds	App. Total	Left	Thru	Right	Peds	App. Total	Left	Thru	Right	Peds	App. Total	
Peak Hour Analysis From 10:00 to 13:45 - Peak 1 of 1																					
Peak Hour for Entire Intersection Begins at 12:00																					
12:00	0	0	0	0	0	0	39	54	0	93	24	0	8	0	32	51	64	0	0	115	240
12:15	0	0	0	0	0	0	34	61	0	95	28	0	6	0	34	47	87	0	0	134	263
12:30	0	0	0	0	0	0	48	71	0	119	21	0	9	0	30	37	86	0	0	123	272
12:45	0	0	0	0	0	0	38	54	0	92	18	0	7	0	25	55	104	0	0	159	276
Total Volume	0	0	0	0	0	0	159	240	0	399	91	0	30	0	121	190	341	0	0	531	1051
% App. Total	0	0	0	0	0	0	39.8	60.2	0		75.2	0	24.8	0		35.8	64.2	0	0		
PHF	.000	.000	.000	.000	.000	.000	.828	.845	.000	.838	.813	.000	.833	.000	.890	.864	.820	.000	.000	.835	.952





# MINNESOTA DEPT OF TRANSPORTATION

TRAFFIC DATA COLLECTION - METRO

File Name : TH 52 E RAMP @ E CONCORD ST 2006

Site Code : 00000000

Start Date : 8/9/2006

Page No : 5

Start Time	N/A Southbound					E CONCORD ST Westbound					TH 52 EAST RAMP Northbound					E CONCORD ST Eastbound					Int. Total
	Left	Thru	Right	Peds	App. Total	Left	Thru	Right	Peds	App. Total	Left	Thru	Right	Peds	App. Total	Left	Thru	Right	Peds	App. Total	
Peak Hour Analysis From 14:00 to 17:45 - Peak 1 of 1																					
Peak Hour for Entire Intersection Begins at 16:15																					
16:15	0	0	0	0	0	0	51	70	0	121	17	0	8	0	25	43	125	0	0	168	314
16:30	0	0	0	0	0	0	59	93	2	154	30	1	5	0	36	59	155	0	0	214	404
16:45	0	0	0	0	0	0	48	65	0	113	29	0	11	0	40	40	154	4	0	198	351
17:00	0	0	0	0	0	0	44	80	0	124	25	0	2	0	27	46	139	0	0	185	336
Total Volume	0	0	0	0	0	0	202	308	2	512	101	1	26	0	128	188	573	4	0	765	1405
% App. Total	0	0	0	0	0	0	39.5	60.2	0.4		78.9	0.8	20.3	0		24.6	74.9	0.5	0		
PHF	.000	.000	.000	.000	.000	.000	.856	.828	.250	.831	.842	.250	.591	.000	.800	.797	.924	.250	.000	.894	.869

