

MN Dept of Transportation

TRAFFIC DATA COLLECTION - Metro

TH-52 /Lafayette Rd at E 7th St
 Ref.Pt.: 131.014
 video MC
 TURN MOVEMENT COUNT

File Name : TH-52- Lafayette at W 7th St 2016
 Site Code :
 Start Date : 5/18/2016
 Page No : 1

Groups Printed- Cars + - Trucks

Start Time	Lafayette Rd Southbound				E 7th Street Westbound				Lafayette Rd / TH-52 Northbound				E 7th Street Eastbound				Int. Total
	Left	Thru	Right	Peds	Left	Thru	Right	Peds	Left	Thru	Right	Peds	Left	Thru	Right	Peds	
06:00	9	15	10	0	50	45	49	0	0	0	0	0	4	15	12	0	209
06:15	9	18	8	0	66	96	73	0	0	0	0	0	9	22	6	0	307
06:30	15	30	10	0	81	140	108	0	0	0	0	0	14	17	8	0	423
06:45	18	41	15	0	102	154	119	0	0	0	0	0	18	34	18	0	519
Total	51	104	43	0	299	435	349	0	0	0	0	0	45	88	44	0	1458
07:00	17	52	18	0	100	153	87	0	0	0	0	0	13	27	19	0	486
07:15	11	47	10	0	130	193	103	0	0	0	0	0	23	36	26	0	579
07:30	12	68	16	0	187	197	95	0	0	0	0	0	17	37	22	0	651
07:45	18	70	24	0	152	244	113	0	0	0	0	0	25	41	27	0	714
Total	58	237	68	0	569	787	398	0	0	0	0	0	78	141	94	0	2430
08:00	20	47	20	0	108	182	118	0	0	0	0	0	27	48	23	0	593
08:15	12	55	13	0	117	185	117	0	0	0	0	0	25	55	20	0	599
08:30	16	48	12	0	96	139	53	0	0	0	0	0	21	48	12	0	445
08:45	12	40	14	0	74	89	56	0	0	0	0	0	20	57	12	0	374
Total	60	190	59	0	395	595	344	0	0	0	0	0	93	208	67	0	2011
09:00	20	20	10	0	60	87	35	0	0	0	0	0	26	61	6	0	325
09:15	15	23	9	0	65	98	47	0	0	0	0	0	21	53	21	0	352
09:30	15	28	12	0	64	95	37	0	0	0	0	0	16	45	22	0	334
09:45	16	24	9	0	48	88	33	0	0	0	0	0	11	68	20	0	317
Total	66	95	40	0	237	368	152	0	0	0	0	0	74	227	69	0	1328
10:00	23	29	5	0	62	76	46	0	0	0	0	0	7	42	15	0	305
10:15	19	35	10	0	46	74	29	0	0	0	0	0	14	41	18	0	286
10:30	18	21	12	0	54	92	32	0	0	0	0	0	7	47	23	0	306
10:45	20	23	15	0	56	91	43	0	0	0	0	0	10	62	26	0	346
Total	80	108	42	0	218	333	150	0	0	0	0	0	38	192	82	0	1243
11:00	22	33	13	0	60	85	41	0	0	0	0	0	16	53	21	0	344
11:15	26	45	16	0	81	105	36	0	0	0	0	0	14	49	22	0	394
11:30	32	40	21	0	70	74	40	0	0	0	0	0	19	57	16	0	369
11:45	33	31	19	0	71	93	40	0	0	0	0	0	21	73	17	0	398
Total	113	149	69	0	282	357	157	0	0	0	0	0	70	232	76	0	1505
12:00	40	48	18	0	46	86	44	0	0	0	0	0	20	50	21	0	373
12:15	28	36	11	0	67	89	53	0	0	0	0	0	20	60	25	0	389
12:30	29	29	15	0	77	83	53	0	0	0	0	0	27	66	27	0	406
12:45	23	29	8	0	65	121	65	0	0	0	0	0	26	80	23	0	440
Total	120	142	52	0	255	379	215	0	0	0	0	0	93	256	96	0	1608
13:00	29	40	13	0	65	97	47	0	0	0	0	0	32	68	36	0	427
13:15	20	35	14	0	79	116	53	0	0	0	0	0	21	77	31	0	446
13:30	33	45	13	0	63	108	43	0	0	0	0	0	11	70	22	0	408
13:45	39	46	10	0	76	96	43	0	0	0	0	0	15	74	14	0	413
Total	121	166	50	0	283	417	186	0	0	0	0	0	79	289	103	0	1694
14:00	26	49	18	0	69	89	48	0	0	0	0	0	23	83	17	0	422
14:15	39	58	19	0	88	76	47	0	0	0	0	0	13	65	27	0	432
14:30	48	66	11	0	91	89	77	0	0	0	0	0	18	91	38	0	529
14:45	44	55	13	0	97	108	56	0	0	0	0	0	7	87	41	0	508
Total	157	228	61	0	345	362	228	0	0	0	0	0	61	326	123	0	1891
15:00	60	78	17	0	85	110	54	0	0	0	0	0	21	83	44	0	552
15:15	47	81	11	0	94	115	65	0	0	0	0	0	11	104	68	0	596
15:30	65	130	16	0	112	118	60	0	0	0	0	0	15	125	69	0	710
15:45	66	136	17	0	116	113	71	0	0	0	0	0	19	162	96	0	796
Total	238	425	61	0	407	456	250	0	0	0	0	0	66	474	277	0	2654

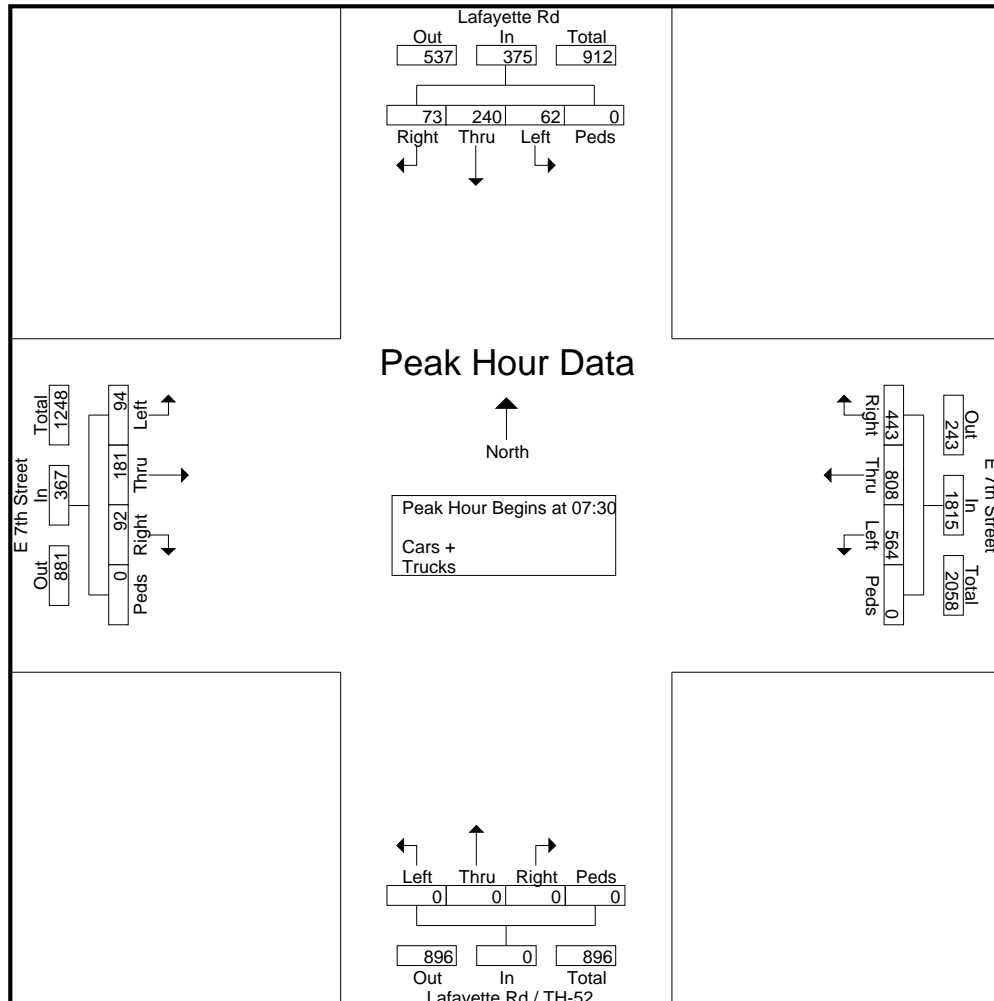
MN Dept of Transportation

TRAFFIC DATA COLLECTION - Metro

TH-52 /Lafayette Rd at E 7th St
 Ref.Pt.: 131.014
 video MC
 TURN MOVEMENT COUNT

File Name : TH-52- Lafayette at W 7th St 2016
 Site Code :
 Start Date : 5/18/2016
 Page No : 3

Start Time	Lafayette Rd Southbound					E 7th Street Westbound					Lafayette Rd / TH-52 Northbound					E 7th Street Eastbound					Int. Total
	Left	Thru	Right	Peds	App. Total	Left	Thru	Right	Peds	App. Total	Left	Thru	Right	Peds	App. Total	Left	Thru	Right	Peds	App. Total	
Peak Hour Analysis From 06:00 to 11:45 - Peak 1 of 1																					
Peak Hour for Entire Intersection Begins at 07:30																					
07:30	12	68	16	0	96	187	197	95	0	479	0	0	0	0	0	17	37	22	0	76	651
07:45	18	70	24	0	112	152	244	113	0	509	0	0	0	0	0	25	41	27	0	93	714
08:00	20	47	20	0	87	108	182	118	0	408	0	0	0	0	0	27	48	23	0	98	593
08:15	12	55	13	0	80	117	185	117	0	419	0	0	0	0	0	25	55	20	0	100	599
Total Volume	62	240	73	0	375	564	808	443	0	1815	0	0	0	0	0	94	181	92	0	367	2557
% App. Total	16.5	64	19.5	0		31.1	44.5	24.4	0		0	0	0	0		25.6	49.3	25.1	0		
PHF	.775	.857	.760	.000	.837	.754	.828	.939	.000	.891	.000	.000	.000	.000	.000	.870	.823	.852	.000	.918	.895



MN Dept of Transportation

TRAFFIC DATA COLLECTION - Metro

TH-52 /Lafayette Rd at E 7th St
 Ref.Pt.: 131.014
 video MC
 TURN MOVEMENT COUNT

File Name : TH-52- Lafayette at W 7th St 2016
 Site Code :
 Start Date : 5/18/2016
 Page No : 4

Start Time	Lafayette Rd Southbound					E 7th Street Westbound					Lafayette Rd / TH-52 Northbound					E 7th Street Eastbound					Int. Total
	Left	Thru	Right	Peds	App. Total	Left	Thru	Right	Peds	App. Total	Left	Thru	Right	Peds	App. Total	Left	Thru	Right	Peds	App. Total	
Peak Hour Analysis From 12:00 to 17:45 - Peak 1 of 1																					
Peak Hour for Entire Intersection Begins at 16:00																					
16:00	59	127	13	0	199	123	138	78	0	339	0	0	0	0	0	22	183	123	0	328	866
16:15	60	154	21	0	235	117	132	59	0	308	0	0	0	0	0	19	158	142	0	319	862
16:30	63	145	19	0	227	128	108	57	0	293	0	0	0	0	0	15	162	135	0	312	832
16:45	58	131	22	0	211	128	120	69	0	317	0	0	0	0	0	19	186	140	0	345	873
Total Volume	240	557	75	0	872	496	498	263	0	1257	0	0	0	0	0	75	689	540	0	1304	3433
% App. Total	27.5	63.9	8.6	0		39.5	39.6	20.9	0		0	0	0	0	0	5.8	52.8	41.4	0		
PHF	.952	.904	.852	.000	.928	.969	.902	.843	.000	.927	.000	.000	.000	.000	.000	.852	.926	.951	.000	.945	.983

