

107\_TH 61 and 15th Street  
Ref. Pt: 116+00.575  
data by: Alliant Inc  
TURN MOVEMENT COUNT

File Name : 107\_TH 61 and 15th Street  
Site Code : 00000107  
Start Date : 4/9/2019  
Page No : 1

Groups Printed- Class 1 - Class 2

Start Time	TH 61 Southbound					15th Street Westbound					TH 61 Northbound					15th Street Eastbound					Int. Total
	Other	Rght	Thru	Left	App. Total	Other	Rght	Thru	Left	App. Total	Other	Rght	Thru	Left	App. Total	Other	Rght	Thru	Left	App. Total	
06:00 AM	0	7	110	4	121	0	5	3	7	15	0	1	159	14	174	0	10	0	23	33	343
06:15 AM	0	9	116	1	126	0	7	4	7	18	0	1	171	26	198	0	11	3	35	49	391
06:30 AM	0	6	153	0	159	0	5	6	6	17	0	2	219	26	247	0	22	6	33	61	484
06:45 AM	0	9	169	3	181	0	5	9	7	21	0	2	242	24	268	0	16	2	31	49	519
Total	0	31	548	8	587	0	22	22	27	71	0	6	791	90	887	0	59	11	122	192	1737
07:00 AM	0	7	114	1	122	0	7	8	6	21	0	2	245	38	285	1	15	4	33	53	481
07:15 AM	0	13	142	1	156	0	11	6	8	25	0	4	248	38	290	0	21	12	35	68	539
07:30 AM	0	13	165	2	180	0	10	13	18	41	0	10	263	33	306	0	29	17	38	84	611
07:45 AM	0	11	182	7	200	0	10	10	13	33	0	4	203	30	237	0	28	8	34	70	540
Total	0	44	603	11	658	0	38	37	45	120	0	20	959	139	1118	1	93	41	140	275	2171
08:00 AM	0	16	139	0	155	0	8	4	8	20	0	3	177	18	198	0	16	4	28	48	421
08:15 AM	0	8	138	3	149	0	6	3	12	21	0	3	164	20	187	1	15	6	18	40	397
08:30 AM	0	9	166	2	177	0	5	9	14	28	0	12	181	23	216	0	25	10	27	62	483
08:45 AM	0	9	146	3	158	0	6	8	6	20	2	11	153	16	182	0	23	11	19	53	413
Total	0	42	589	8	639	0	25	24	40	89	2	29	675	77	783	1	79	31	92	203	1714
09:00 AM	0	15	142	3	160	0	4	10	8	22	0	1	166	21	188	0	16	8	21	45	415
09:15 AM	0	11	119	5	135	0	5	1	11	17	0	3	137	23	163	1	20	4	26	51	366
*** BREAK ***																					
Total	0	26	261	8	295	0	9	11	19	39	0	4	303	44	351	1	36	12	47	96	781
*** BREAK ***																					
10:30 AM	0	17	127	5	149	0	4	9	12	25	1	4	145	15	165	0	14	3	18	35	374
10:45 AM	1	10	156	8	175	0	10	8	12	30	1	8	121	16	146	1	26	7	15	49	400
Total	1	27	283	13	324	0	14	17	24	55	2	12	266	31	311	1	40	10	33	84	774
11:00 AM	1	10	164	4	179	0	3	8	17	28	0	1	142	19	162	2	22	5	23	52	421
11:15 AM	0	10	175	0	185	0	4	6	11	21	1	4	148	15	168	0	20	7	18	45	419
11:30 AM	0	12	189	7	208	0	7	8	7	22	1	3	136	23	163	0	27	5	18	50	443
11:45 AM	0	18	164	3	185	0	6	8	13	27	0	1	165	25	191	0	20	12	23	55	458
Total	1	50	692	14	757	0	20	30	48	98	2	9	591	82	684	2	89	29	82	202	1741
12:00 PM	0	14	167	6	187	0	5	14	17	36	0	3	185	17	205	0	14	12	20	46	474
12:15 PM	0	19	166	6	191	0	9	10	16	35	0	4	168	18	190	0	23	9	19	51	467
12:30 PM	0	5	158	4	167	0	5	3	14	22	0	2	186	29	217	0	21	8	19	48	454
12:45 PM	0	17	200	6	223	0	7	6	18	31	0	6	158	29	193	0	35	11	19	65	512
Total	0	55	691	22	768	0	26	33	65	124	0	15	697	93	805	0	93	40	77	210	1907
01:00 PM	0	15	195	6	216	0	6	13	15	34	1	6	167	26	200	0	31	7	22	60	510
01:15 PM	0	17	186	7	210	0	5	14	11	30	0	6	166	14	186	0	19	10	24	53	479
*** BREAK ***																					
Total	0	32	381	13	426	0	11	27	26	64	1	12	333	40	386	0	50	17	46	113	989
*** BREAK ***																					
02:30 PM	0	14	283	6	303	0	7	15	26	48	1	5	169	23	198	2	29	10	15	56	605
02:45 PM	1	22	254	6	283	0	6	11	14	31	0	8	184	29	221	0	36	13	27	76	611
Total	1	36	537	12	586	0	13	26	40	79	1	13	353	52	419	2	65	23	42	132	1216
03:00 PM	0	16	232	9	257	1	5	9	19	34	1	9	233	33	276	0	33	7	22	62	629
03:15 PM	0	13	266	7	286	0	6	9	22	37	0	7	201	29	237	1	28	13	29	71	631
03:30 PM	2	14	278	7	301	0	11	15	30	56	0	6	251	28	285	1	36	9	25	71	713
03:45 PM	0	28	300	5	333	0	5	7	28	40	0	8	214	27	249	3	26	10	24	63	685
Total	2	71	1076	28	1177	1	27	40	99	167	1	30	899	117	1047	5	123	39	100	267	2658

107\_TH 61 and 15th Street  
Ref. Pt: 116+00.575  
data by: Alliant Inc  
TURN MOVEMENT COUNT

File Name : 107\_TH 61 and 15th Street  
Site Code : 00000107  
Start Date : 4/9/2019  
Page No : 2

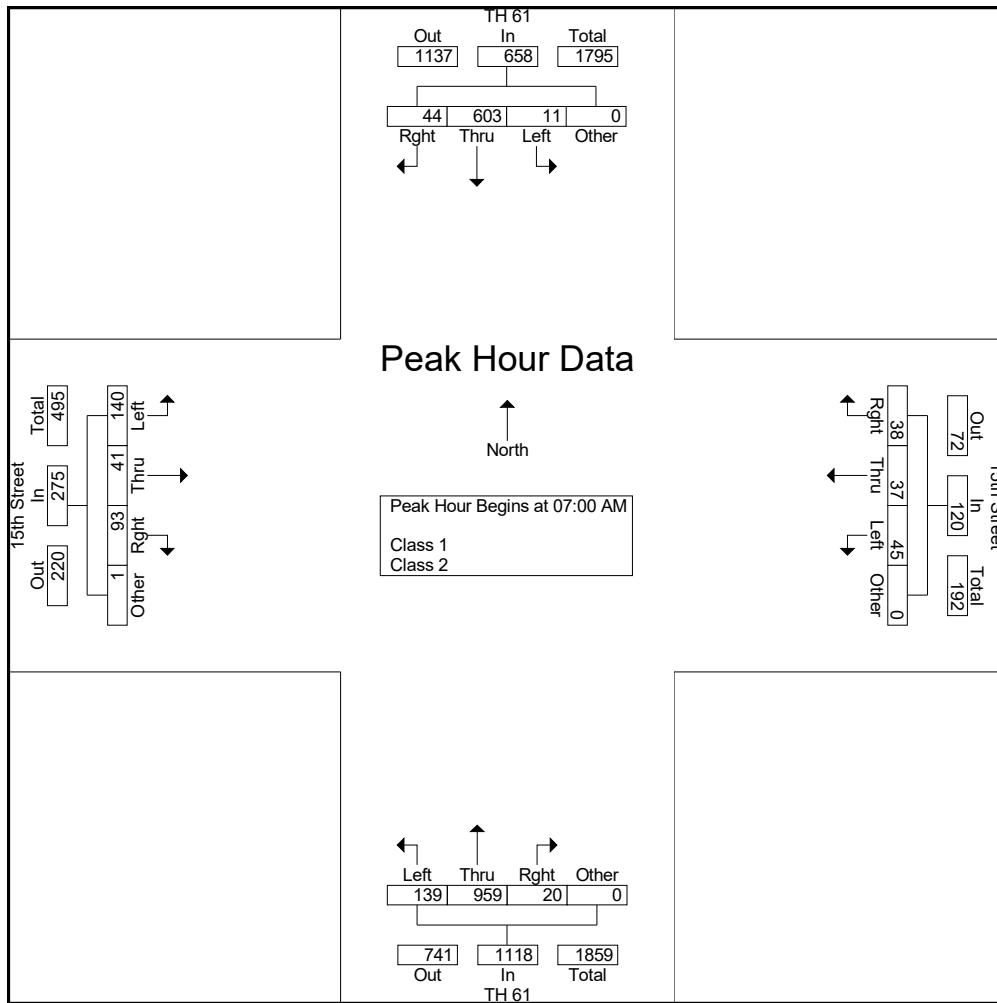
Groups Printed- Class 1 - Class 2

Start Time	TH 61 Southbound					15th Street Westbound					TH 61 Northbound					15th Street Eastbound					Int. Total
	Other	Rght	Thru	Left	App. Total	Other	Rght	Thru	Left	App. Total	Other	Rght	Thru	Left	App. Total	Other	Rght	Thru	Left	App. Total	
04:00 PM	0	18	274	8	300	0	8	14	19	41	2	8	212	30	252	0	32	10	35	77	670
04:15 PM	2	19	284	5	310	0	2	14	22	38	0	5	212	30	247	0	34	12	36	82	677
04:30 PM	1	26	264	9	300	1	12	13	33	59	1	3	229	37	270	0	30	12	24	66	695
04:45 PM	2	24	285	9	320	0	10	20	18	48	1	7	255	37	300	0	49	11	33	93	761
Total	5	87	1107	31	1230	1	32	61	92	186	4	23	908	134	1069	0	145	45	128	318	2803
05:00 PM	0	23	313	10	346	2	15	12	23	52	1	6	251	39	297	0	49	15	27	91	786
05:15 PM	0	23	302	4	329	0	11	9	22	42	0	4	211	27	242	0	38	14	24	76	689
05:30 PM	0	18	297	5	320	0	8	13	8	29	1	3	237	30	271	1	34	8	20	63	683
05:45 PM	0	20	254	8	282	0	3	8	12	23	3	3	213	39	258	4	35	9	32	80	643
Total	0	84	1166	27	1277	2	37	42	65	146	5	16	912	135	1068	5	156	46	103	310	2801
Grand Total	10	585	7934	195	8724	4	274	370	590	1238	18	189	7687	1034	8928	18	1028	344	1012	2402	21292
Apprch %	0.1	6.7	90.9	2.2		0.3	22.1	29.9	47.7		0.2	2.1	86.1	11.6		0.7	42.8	14.3	42.1		
Total %	0	2.7	37.3	0.9	41	0	1.3	1.7	2.8	5.8	0.1	0.9	36.1	4.9	41.9	0.1	4.8	1.6	4.8	11.3	
Class 1	10	574	7367	195	8146	3	266	366	568	1203	15	184	7131	1009	8339	17	996	334	985	2332	20020
% Class 1	100	98.1	92.9	100	93.4	75	97.1	98.9	96.3	97.2	83.3	97.4	92.8	97.6	93.4	94.4	96.9	97.1	97.3	97.1	94
Class 2	0	11	567	0	578	1	8	4	22	35	3	5	556	25	589	1	32	10	27	70	1272
% Class 2	0	1.9	7.1	0	6.6	25	2.9	1.1	3.7	2.8	16.7	2.6	7.2	2.4	6.6	5.6	3.1	2.9	2.7	2.9	6

107\_TH 61 and 15th Street  
 Ref. Pt: 116+00.575  
 data by: Alliant Inc  
 TURN MOVEMENT COUNT

File Name : 107\_TH 61 and 15th Street  
 Site Code : 00000107  
 Start Date : 4/9/2019  
 Page No : 3

Start Time	TH 61 Southbound					15th Street Westbound					TH 61 Northbound					15th Street Eastbound					Int. Total
	Other	Rght	Thru	Left	App. Total	Other	Rght	Thru	Left	App. Total	Other	Rght	Thru	Left	App. Total	Other	Rght	Thru	Left	App. Total	
Peak Hour Analysis From 06:00 AM to 11:45 AM - Peak 1 of 1																					
Peak Hour for Entire Intersection Begins at 07:00 AM																					
07:00 AM	0	7	114	1	122	0	7	8	6	21	0	2	245	38	285	1	15	4	33	53	481
07:15 AM	0	13	142	1	156	0	11	6	8	25	0	4	248	38	290	0	21	12	35	68	539
07:30 AM	0	13	165	2	180	0	10	13	18	41	0	10	263	33	306	0	29	17	38	84	611
07:45 AM	0	11	182	7	200	0	10	10	13	33	0	4	203	30	237	0	28	8	34	70	540
Total Volume	0	44	603	11	658	0	38	37	45	120	0	20	959	139	1118	1	93	41	140	275	2171
% App. Total	0	6.7	91.6	1.7		0	31.7	30.8	37.5		0	1.8	85.8	12.4		0.4	33.8	14.9	50.9		
PHF	.000	.846	.828	.393	.823	.000	.864	.712	.625	.732	.000	.500	.912	.914	.913	.250	.802	.603	.921	.818	.888



107\_TH 61 and 15th Street  
 Ref. Pt: 116+00.575  
 data by: Alliant Inc  
 TURN MOVEMENT COUNT

File Name : 107\_TH 61 and 15th Street  
 Site Code : 00000107  
 Start Date : 4/9/2019  
 Page No : 4

Start Time	TH 61 Southbound					15th Street Westbound					TH 61 Northbound					15th Street Eastbound					Int. Total
	Other	Rght	Thru	Left	App. Total	Other	Rght	Thru	Left	App. Total	Other	Rght	Thru	Left	App. Total	Other	Rght	Thru	Left	App. Total	
Peak Hour Analysis From 12:00 PM to 05:45 PM - Peak 1 of 1																					
Peak Hour for Entire Intersection Begins at 04:30 PM																					
04:30 PM	1	26	264	9	300	1	12	13	33	59	1	3	229	37	270	0	30	12	24	66	695
04:45 PM	2	24	285	9	320	0	10	20	18	48	1	7	255	37	300	0	49	11	33	93	761
05:00 PM	0	23	313	10	346	2	15	12	23	52	1	6	251	39	297	0	49	15	27	91	786
05:15 PM	0	23	302	4	329	0	11	9	22	42	0	4	211	27	242	0	38	14	24	76	689
Total Volume	3	96	1164	32	1295	3	48	54	96	201	3	20	946	140	1109	0	166	52	108	326	2931
% App. Total	0.2	7.4	89.9	2.5		1.5	23.9	26.9	47.8		0.3	1.8	85.3	12.6		0.0	50.9	16	33.1		
PHF	.375	.923	.930	.800	.936	.375	.800	.675	.727	.852	.750	.714	.927	.897	.924	.000	.847	.867	.818	.876	.932

