

Alliant Engineering, Inc.

733 Marquette Ave #700, Minneapolis, MN 55402

Flying Cloud Dr & Singletree Lane
 Ref Pt:
 data by: Alliant Inc
 TURN MOVEMENT COUNT

File Name : 8057600_HENN_Flying Cloud Dr at Singletree Lane_8
 Site Code : 8057600
 Start Date : 12/14/2020
 Page No : 1

Groups Printed- Cars - Trucks

Start Time	Flying Cloud Dr Southbound					Singletree Ln Westbound					Flying Cloud Dr Northbound					Singletree Ln Eastbound					Int. Total
	Right	Thru	Left	Peds	App. Total	Right	Thru	Left	Peds	App. Total	Right	Thru	Left	Peds	App. Total	Right	Thru	Left	Peds	App. Total	
06:00 AM	8	0	0	0	8	0	0	0	0	1	0	20	0	0	20	15	1	5	0	21	50
06:15 AM	6	3	1	0	10	0	0	2	0	2	1	37	0	0	38	22	3	6	0	31	81
06:30 AM	5	17	0	0	22	0	1	0	1	2	0	43	5	0	48	22	3	5	0	30	102
06:45 AM	8	7	0	0	15	5	2	1	0	8	1	42	3	0	46	34	6	5	0	45	114
Total	27	27	1	0	55	5	3	3	2	13	2	142	8	0	152	93	13	21	0	127	347
07:00 AM	9	8	1	0	18	1	0	2	0	3	0	43	4	0	47	28	3	5	1	37	105
07:15 AM	18	33	0	0	51	1	3	1	0	5	2	59	6	0	67	8	2	9	0	19	142
07:30 AM	14	51	1	0	66	0	8	2	0	10	2	59	4	0	65	3	6	15	0	24	165
07:45 AM	17	44	1	0	62	2	2	1	0	5	0	84	6	0	90	2	9	17	0	28	185
Total	58	136	3	0	197	4	13	6	0	23	4	245	20	0	269	41	20	46	1	108	597
08:00 AM	15	44	2	0	61	0	7	3	0	10	2	55	2	0	59	3	11	16	0	30	160
08:15 AM	15	43	4	0	62	3	5	7	0	15	4	52	7	0	63	5	6	18	0	29	169
08:30 AM	11	48	2	0	61	5	8	3	0	16	2	57	4	0	63	6	11	15	0	32	172
08:45 AM	18	45	3	0	66	7	4	4	0	15	5	52	9	0	66	6	22	18	0	46	193
Total	59	180	11	0	250	15	24	17	0	56	13	216	22	0	251	20	50	67	0	137	694
09:00 AM	14	63	2	0	79	7	8	1	0	16	6	62	4	0	72	4	15	16	0	35	202
09:15 AM	23	59	8	0	90	5	9	4	0	18	7	64	12	0	83	7	20	17	0	44	235
*** BREAK ***																					
Total	37	122	10	0	169	12	17	5	0	34	13	126	16	0	155	11	35	33	0	79	437
*** BREAK ***																					
10:30 AM	24	62	17	0	103	11	19	12	0	42	10	79	12	0	101	12	21	39	0	72	318
10:45 AM	24	61	13	0	98	10	24	8	0	42	9	71	15	0	95	11	47	38	0	96	331
Total	48	123	30	0	201	21	43	20	0	84	19	150	27	0	196	23	68	77	0	168	649
11:00 AM	31	62	9	0	102	12	23	14	0	49	17	88	10	1	116	15	38	25	0	78	345
11:15 AM	32	73	17	0	122	14	26	12	0	52	8	92	6	0	106	19	43	28	0	90	370
11:30 AM	26	90	24	0	140	3	37	6	0	46	11	105	16	0	132	17	39	31	0	87	405
11:45 AM	26	92	19	0	137	9	32	9	0	50	9	128	16	0	153	18	32	30	0	80	420
Total	115	317	69	0	501	38	118	41	0	197	45	413	48	1	507	69	152	114	0	335	1540
12:00 PM	33	91	22	0	146	9	30	8	0	47	8	124	17	0	149	16	49	29	0	94	436
12:15 PM	28	71	24	0	123	11	36	11	0	58	15	100	11	1	127	14	54	34	0	102	410
12:30 PM	16	78	24	0	118	10	33	13	0	56	15	94	15	0	124	13	37	30	0	80	378
12:45 PM	25	112	23	0	160	8	33	18	0	59	14	94	18	0	126	21	46	45	0	112	457
Total	102	352	93	0	547	38	132	50	0	220	52	412	61	1	526	64	186	138	0	388	1681
01:00 PM	10	87	22	0	119	9	29	10	0	48	6	126	25	0	157	23	40	40	0	103	427
01:15 PM	26	74	15	0	115	10	29	9	0	48	10	117	14	0	141	24	33	42	0	99	403
*** BREAK ***																					
Total	36	161	37	0	234	19	58	19	0	96	16	243	39	0	298	47	73	82	0	202	830
*** BREAK ***																					
02:30 PM	32	94	23	0	149	11	25	7	0	43	15	118	22	0	155	24	34	40	0	98	445
02:45 PM	31	77	21	0	129	3	32	18	0	53	23	92	27	0	142	19	47	39	0	105	429
Total	63	171	44	0	278	14	57	25	0	96	38	210	49	0	297	43	81	79	0	203	874
03:00 PM	28	87	30	0	145	7	43	14	0	64	12	124	13	0	149	18	43	31	0	92	450
03:15 PM	14	86	31	0	131	8	36	18	0	62	15	109	18	0	142	18	43	40	0	101	436
03:30 PM	22	99	30	0	151	6	34	8	0	48	12	131	13	0	156	11	32	38	0	81	436
03:45 PM	18	108	24	0	150	6	38	9	0	53	17	113	19	0	149	16	47	36	0	99	451
Total	82	380	115	0	577	27	151	49	0	227	56	477	63	0	596	63	165	145	0	373	1773
04:00 PM	19	101	19	0	139	5	38	22	0	65	16	104	9	0	129	23	38	43	0	104	437

Alliant Engineering, Inc.

733 Marquette Ave #700, Minneapolis, MN 55402

Flying Cloud Dr & Singletree Lane

File Name : 8057600_HENN_Flying Cloud Dr at Singletree Lane_8

Ref Pt:

Site Code : 8057600

data by: Alliant Inc

Start Date : 12/14/2020

TURN MOVEMENT COUNT

Page No : 2

Groups Printed- Cars - Trucks

Start Time	Flying Cloud Dr Southbound					Singletree Ln Westbound					Flying Cloud Dr Northbound					Singletree Ln Eastbound					Int. Total
	Right	Thru	Left	Peds	App. Total	Right	Thru	Left	Peds	App. Total	Right	Thru	Left	Peds	App. Total	Right	Thru	Left	Peds	App. Total	
04:15 PM	22	121	41	0	184	3	44	13	0	60	13	126	15	0	154	22	38	29	0	89	487
04:30 PM	21	92	26	0	139	1	45	22	0	68	12	133	15	0	160	21	43	39	0	103	470
04:45 PM	19	103	22	0	144	7	34	22	0	63	13	118	11	0	142	22	44	25	0	91	440
Total	81	417	108	0	606	16	161	79	0	256	54	481	50	0	585	88	163	136	0	387	1834
05:00 PM	12	106	25	0	143	3	40	20	0	63	13	110	14	0	137	22	40	24	0	86	429
05:15 PM	10	104	32	0	146	2	47	18	0	67	15	100	16	0	131	19	32	22	0	73	417
05:30 PM	13	99	20	0	132	2	44	20	0	66	10	100	16	0	126	15	40	37	0	92	416
05:45 PM	14	104	22	0	140	5	52	11	0	68	20	85	9	0	114	22	40	27	0	89	411
Total	49	413	99	0	561	12	183	69	0	264	58	395	55	0	508	78	152	110	0	340	1673
Grand Total	757	2799	620	0	4176	221	960	383	2	1566	370	3510	458	2	4340	640	1158	1048	1	2847	12929
Apprch %	18.1	67	14.8	0		14.1	61.3	24.5	0.1		8.5	80.9	10.6	0		22.5	40.7	36.8	0		
Total %	5.9	21.6	4.8	0	32.3	1.7	7.4	3	0	12.1	2.9	27.1	3.5	0	33.6	5	9	8.1	0	22	
Cars	744	2733	615	0	4092	215	948	378	2	1543	369	3404	454	2	4229	627	1146	1037	1	2811	12675
% Cars	98.3	97.6	99.2	0	98	97.3	98.8	98.7	100	98.5	99.7	97	99.1	100	97.4	98	99	99	100	98.7	98
Trucks	13	66	5	0	84	6	12	5	0	23	1	106	4	0	111	13	12	11	0	36	254
% Trucks	1.7	2.4	0.8	0	2	2.7	1.2	1.3	0	1.5	0.3	3	0.9	0	2.6	2	1	1	0	1.3	2

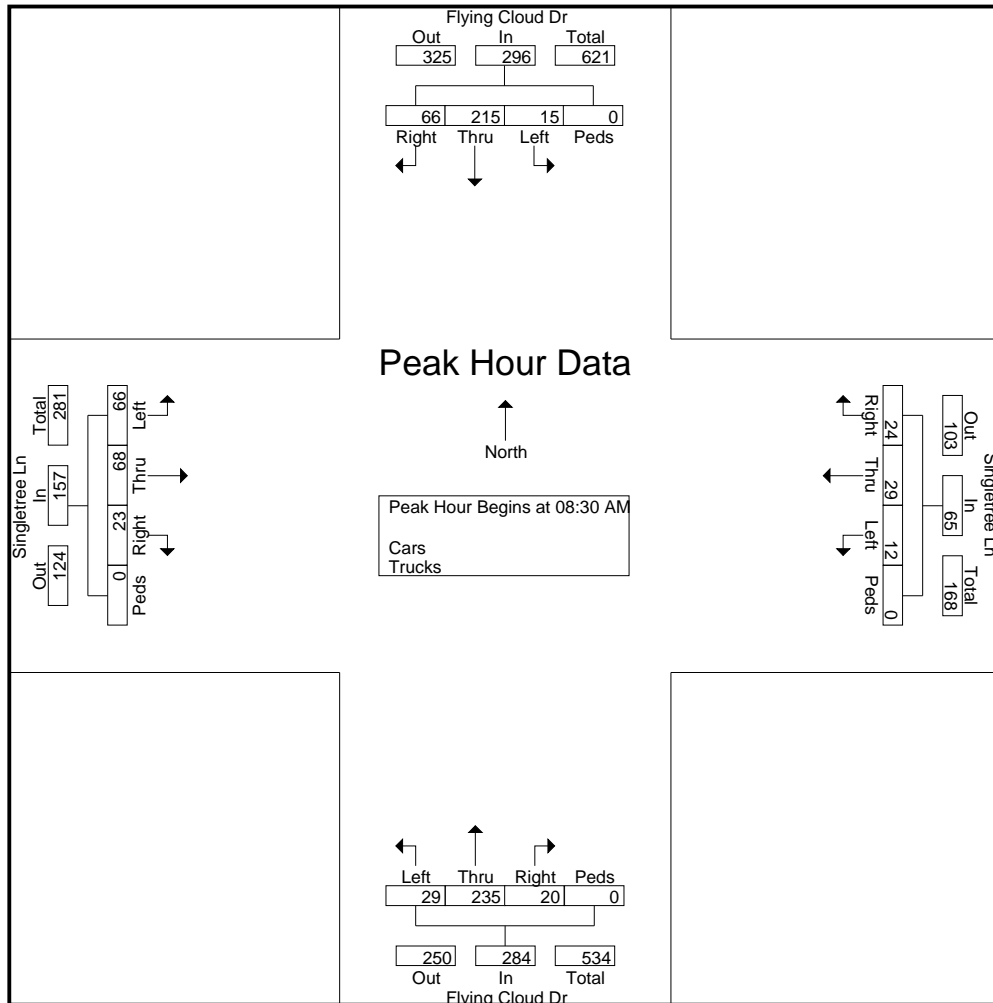
Alliant Engineering, Inc.

733 Marquette Ave #700, Minneapolis, MN 55402

Flying Cloud Dr & Singletree Lane
 Ref Pt:
 data by: Alliant Inc
 TURN MOVEMENT COUNT

File Name : 8057600_HENN_Flying Cloud Dr at Singletree Lane_8
 Site Code : 8057600
 Start Date : 12/14/2020
 Page No : 3

Start Time	Flying Cloud Dr Southbound					Singletree Ln Westbound					Flying Cloud Dr Northbound					Singletree Ln Eastbound					Int. Total
	Right	Thru	Left	Peds	App. Total	Right	Thru	Left	Peds	App. Total	Right	Thru	Left	Peds	App. Total	Right	Thru	Left	Peds	App. Total	
Peak Hour Analysis From 06:00 AM to 09:45 AM - Peak 1 of 1																					
Peak Hour for Entire Intersection Begins at 08:30 AM																					
08:30 AM	11	48	2	0	61	5	8	3	0	16	2	57	4	0	63	6	11	15	0	32	172
08:45 AM	18	45	3	0	66	7	4	4	0	15	5	52	9	0	66	6	22	18	0	46	193
09:00 AM	14	63	2	0	79	7	8	1	0	16	6	62	4	0	72	4	15	16	0	35	202
09:15 AM	23	59	8	0	90	5	9	4	0	18	7	64	12	0	83	7	20	17	0	44	235
Total Volume	66	215	15	0	296	24	29	12	0	65	20	235	29	0	284	23	68	66	0	157	802
% App. Total	22.3	72.6	5.1	0		36.9	44.6	18.5	0		7	82.7	10.2	0		14.6	43.3	42	0		
PHF	.717	.853	.469	.000	.822	.857	.806	.750	.000	.903	.714	.918	.604	.000	.855	.821	.773	.917	.000	.853	.853



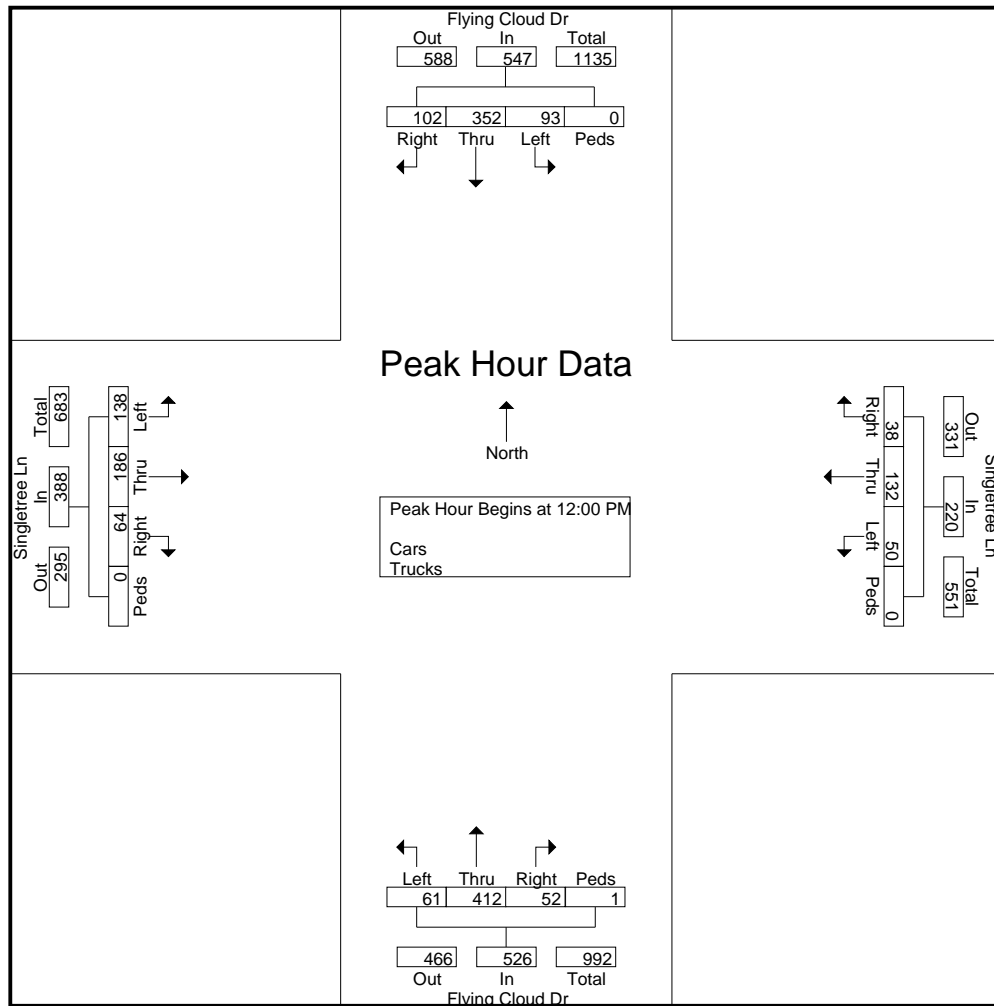
Alliant Engineering, Inc.

733 Marquette Ave #700, Minneapolis, MN 55402

Flying Cloud Dr & Singletree Lane
 Ref Pt:
 data by: Alliant Inc
 TURN MOVEMENT COUNT

File Name : 8057600_HENN_Flying Cloud Dr at Singletree Lane_8
 Site Code : 8057600
 Start Date : 12/14/2020
 Page No : 4

Start Time	Flying Cloud Dr Southbound					Singletree Ln Westbound					Flying Cloud Dr Northbound					Singletree Ln Eastbound					Int. Total
	Right	Thru	Left	Peds	App. Total	Right	Thru	Left	Peds	App. Total	Right	Thru	Left	Peds	App. Total	Right	Thru	Left	Peds	App. Total	
Peak Hour Analysis From 10:00 AM to 01:45 PM - Peak 1 of 1																					
Peak Hour for Entire Intersection Begins at 12:00 PM																					
12:00 PM	33	91	22	0	146	9	30	8	0	47	8	124	17	0	149	16	49	29	0	94	436
12:15 PM	28	71	24	0	123	11	36	11	0	58	15	100	11	1	127	14	54	34	0	102	410
12:30 PM	16	78	24	0	118	10	33	13	0	56	15	94	15	0	124	13	37	30	0	80	378
12:45 PM	25	112	23	0	160	8	33	18	0	59	14	94	18	0	126	21	46	45	0	112	457
Total Volume	102	352	93	0	547	38	132	50	0	220	52	412	61	1	526	64	186	138	0	388	1681
% App. Total	18.6	64.4	17	0		17.3	60	22.7	0		9.9	78.3	11.6	0.2		16.5	47.9	35.6	0		
PHF	.773	.786	.969	.000	.855	.864	.917	.694	.000	.932	.867	.831	.847	.250	.883	.762	.861	.767	.000	.866	.920



Alliant Engineering, Inc.

733 Marquette Ave #700, Minneapolis, MN 55402

Flying Cloud Dr & Singletree Lane
 Ref Pt:
 data by: Alliant Inc
 TURN MOVEMENT COUNT

File Name : 8057600_HENN_Flying Cloud Dr at Singletree Lane_8
 Site Code : 8057600
 Start Date : 12/14/2020
 Page No : 5

Start Time	Flying Cloud Dr Southbound					Singletree Ln Westbound					Flying Cloud Dr Northbound					Singletree Ln Eastbound					Int. Total
	Right	Thru	Left	Peds	App. Total	Right	Thru	Left	Peds	App. Total	Right	Thru	Left	Peds	App. Total	Right	Thru	Left	Peds	App. Total	
Peak Hour Analysis From 02:00 PM to 05:45 PM - Peak 1 of 1																					
Peak Hour for Entire Intersection Begins at 03:45 PM																					
03:45 PM	18	108	24	0	150	6	38	9	0	53	17	113	19	0	149	16	47	36	0	99	451
04:00 PM	19	101	19	0	139	5	38	22	0	65	16	104	9	0	129	23	38	43	0	104	437
04:15 PM	22	121	41	0	184	3	44	13	0	60	13	126	15	0	154	22	38	29	0	89	487
04:30 PM	21	92	26	0	139	1	45	22	0	68	12	133	15	0	160	21	43	39	0	103	470
Total Volume	80	422	110	0	612	15	165	66	0	246	58	476	58	0	592	82	166	147	0	395	1845
% App. Total	13.1	69	18	0		6.1	67.1	26.8	0		9.8	80.4	9.8	0		20.8	42	37.2	0		
PHF	.909	.872	.671	.000	.832	.625	.917	.750	.000	.904	.853	.895	.763	.000	.925	.891	.883	.855	.000	.950	.947

