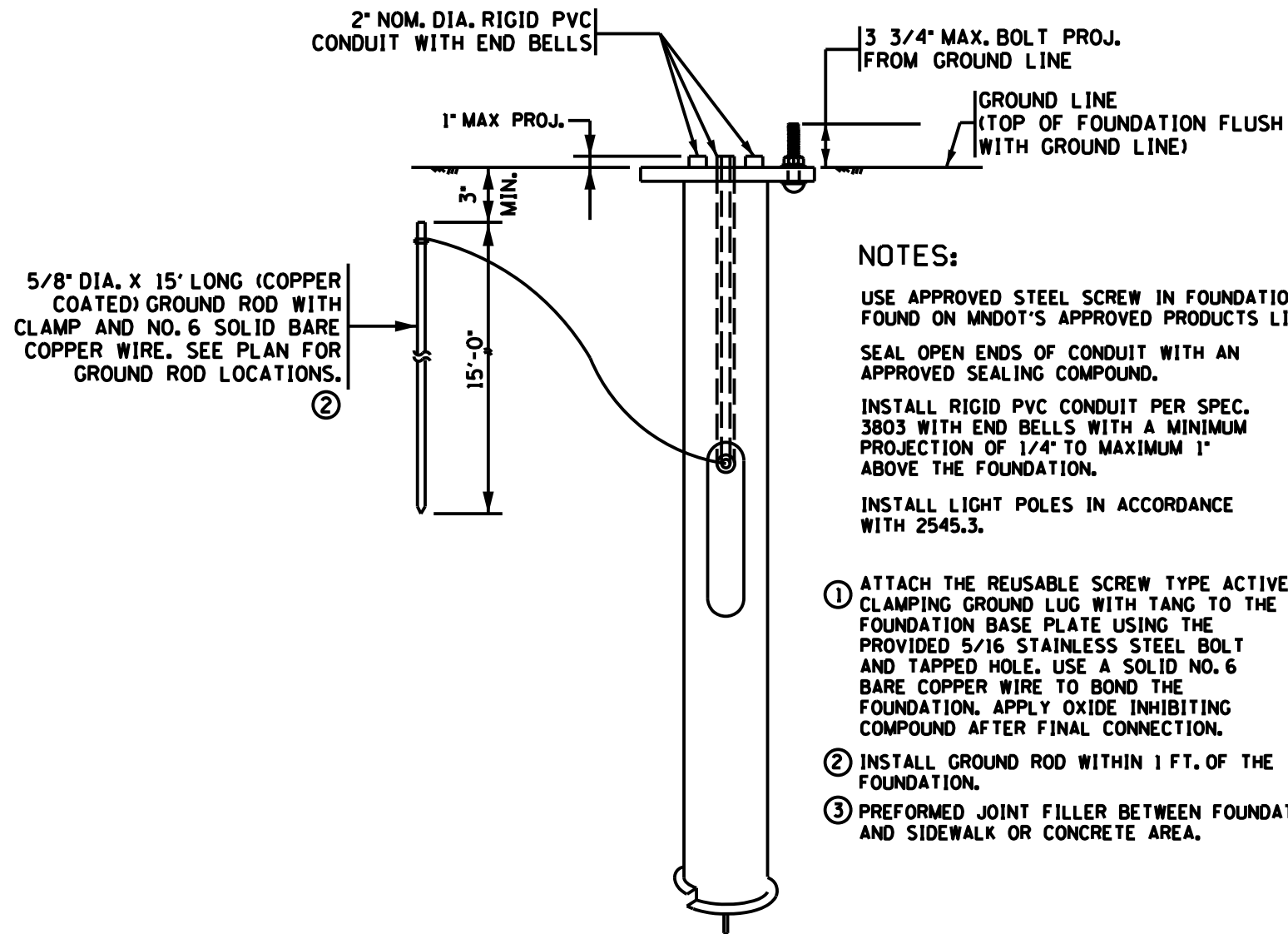
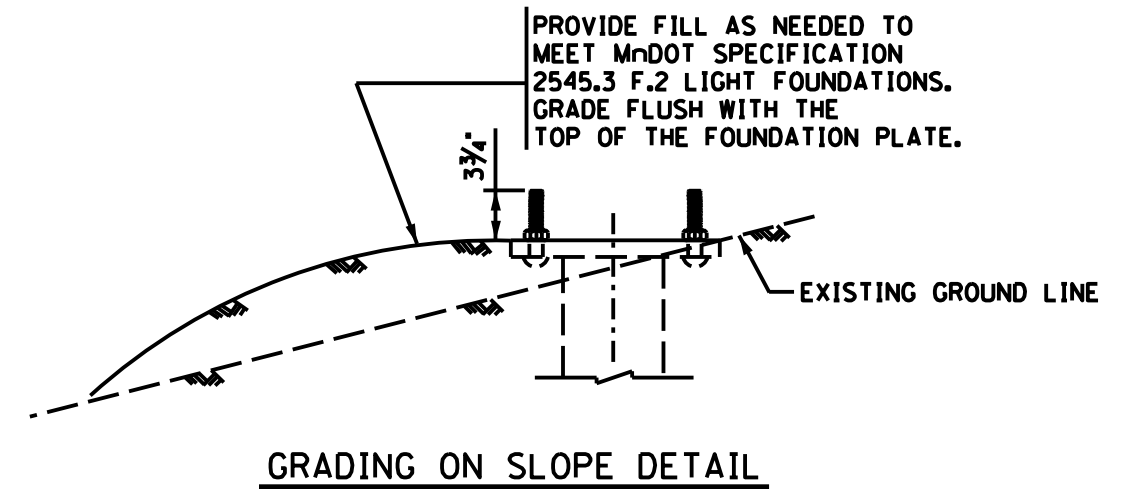


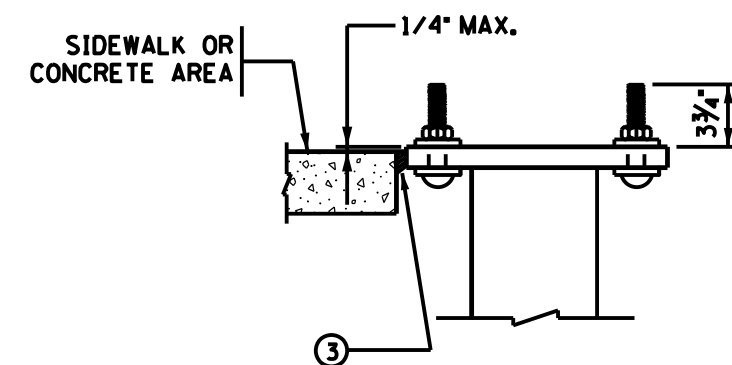
**CARRIAGE BOLT ANCHOR DETAIL**



**STEEL SCREW IN LIGHT FOUNDATION DESIGN P**



**GRADING ON SLOPE DETAIL**



**SIDEWALK OR CONCRETE AREA DETAIL**