

REVISION DATE 10/23/19

23-OCT-2019

Sample Plan

CONSTRUCTION PLAN DETAILS ----- NARRATIVE

References:

Design Scene: Chapter 3 - Details and ADA
Chapter 9 - Plan and Profiles

Standard Plans: 5-297.222 Bridge Approach Panel Layout - (Concrete Barrier on Wingwall)
5-297.223 Bridge Approach Panel Reinforcement Details - (Concrete Barrier on Wingwall)
5-297.224 Bridge Approach Panel Layout - (Concrete Barrier on Approach Panel)
5-297.225 Bridge Approach Panel Reinforcement Details - (Concrete Barrier on Approach Panel)
5-297.227 Bridge Approach Panel Miscellaneous Details
5-297.228 Bridge Approach Panel Joint Layout
5-297.229 Bridge Approach Panel Joint Details
5-297.231 Bridge Approach Panel Drainage Details
5-297.233 Bridge Approach Treatment for Abutment on Footing
5-297.234 Bridge Approach Treatment for Integral Abutment
5-297.250 Pedestrian Curb Ramp Details (6 Sheets)
5-297.254 Driveway and Sidewalk Details (4 Sheets)

Miscellaneous: pw: \\DM_ROS\Non_Project\Design\DetailDrawings\
pw: \\OTS\DesignStandards\DesignDetails\

General Information:

Any modifications to a Standard Plate should be shown as a detailed item.

Examples of Construction Plan Details include but are not limited to the following:

- Large scale Intersections
- Bridge Approach Treatments
- Sheet Piling
- Reinforced Curb & Gutter at Drainage Structures
- In-Lane Rumble Strips and/or Stripes
- Tying New Curb & Gutter to Inplace Pavement
- Concrete Median Curb Dowels
- Bridge Approach Panels
- ADA Pedestrian Ramp Details
- Guardrail End Treatments

For projects with curb and gutter at large or complex intersections, major entrances, cul-de-sacs, pork chop islands, etc., provide an electronic alignment and profile (spline grade acceptable) at the gutterline. Include a tabulation of point numbers, and XYZ for all spot elevations along the gutterline. The Designer shall ensure proper drainage. The example shown on sheet 40 of this Sample Plan is a spline grade.

Where shoulders are strengthened for anticipated bus use, do not call for rumble strips.

Any pay item that is identified as Modified or Special will require a detail and Special Provision write-up or notes in the plan.

Sample Plan

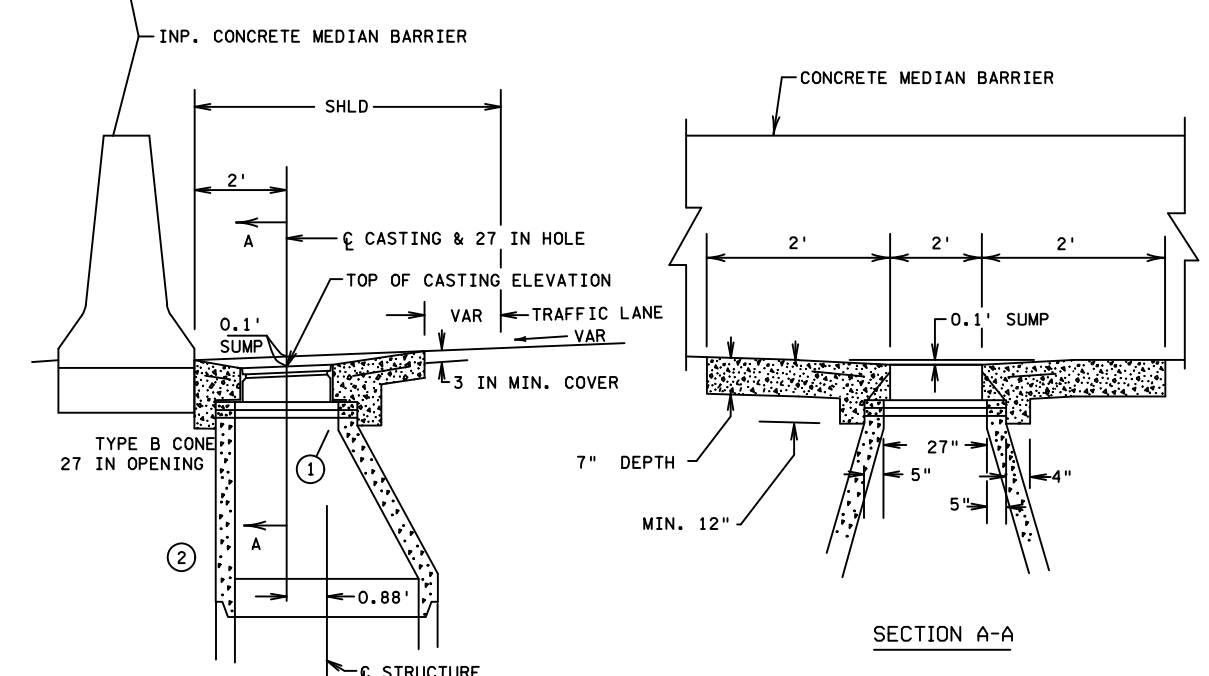
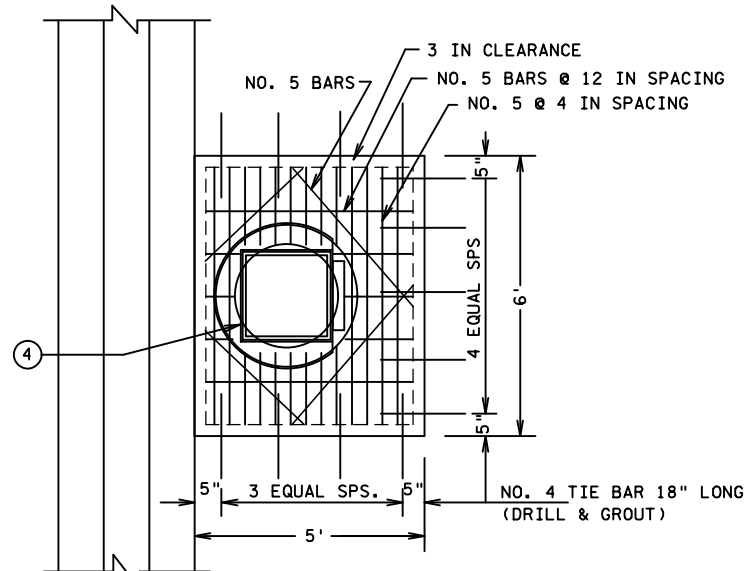
CONSTRUCTION PLAN DETAILS ----- CHECKLIST

- ___ 1. Detail applicable to work scope
- ___ 2. Bar Scale
- ___ 3. Applicable Notes
- ___ 4. Legend
- ___ 5. Dimensions and Incidental Work, If applicable
- ___ 6. Cross references to other sheets (as applicable)
- ___ 7. Drawn by: and Checked by: Initials and Engineer's signature

REVISION DATE 10/23/19
 PLOTTED/REVISED: 23-OCT-2019

DISTRICT #: Metro
 IPLOT NAME: constdef
 FILENAME: Projects\DM_ROS\Win_Proj\Const\SamplePlan\English\constdef.dgn

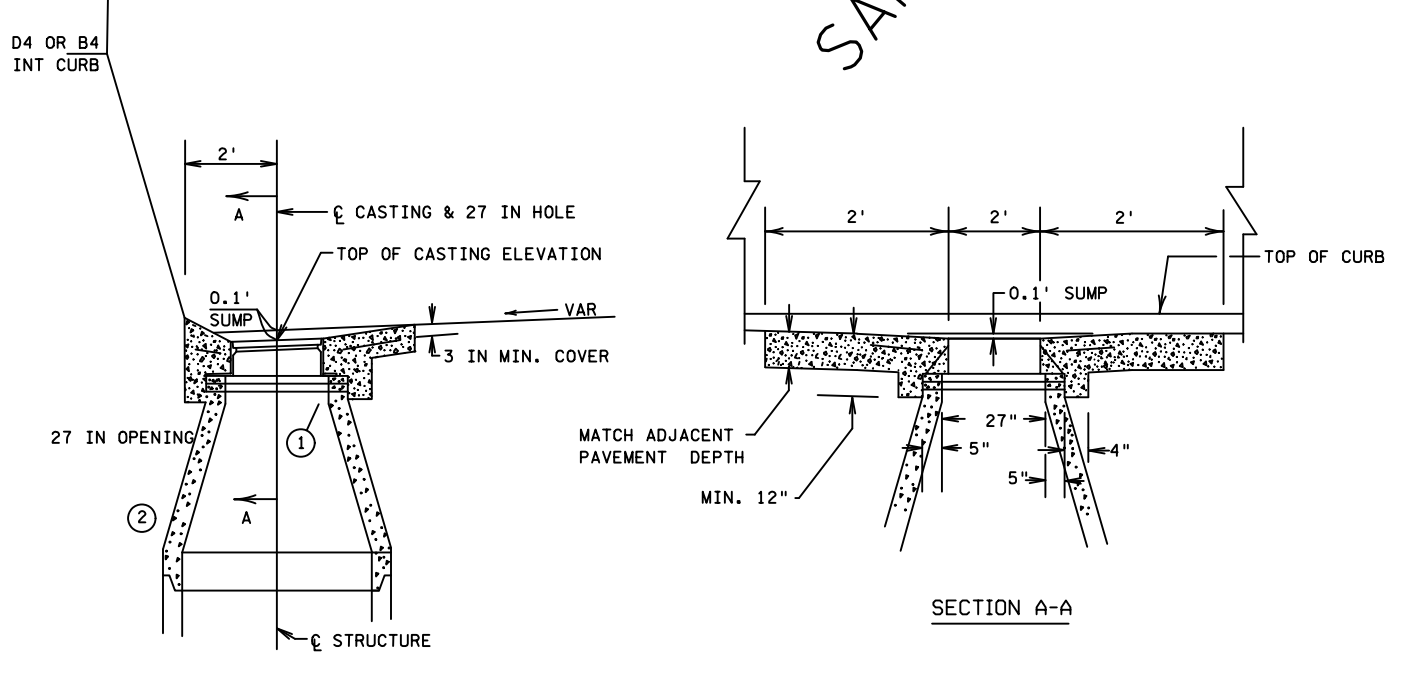
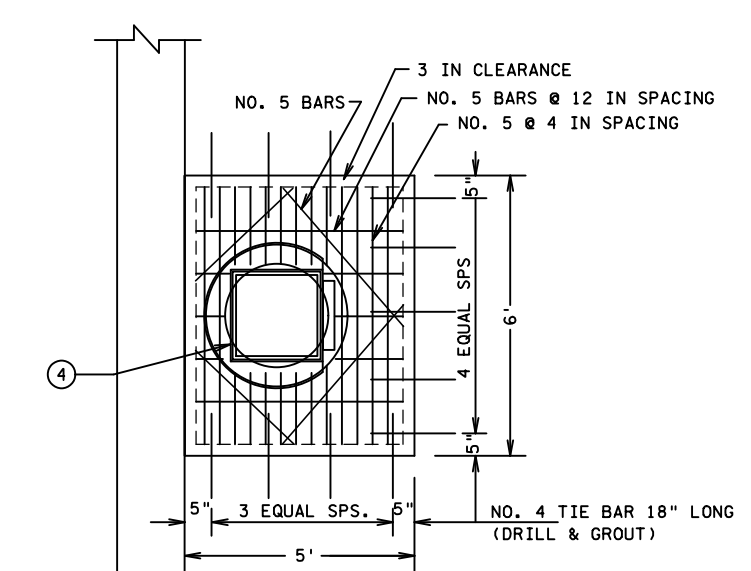
LIST OF ITEMS FOR EACH		(3)	(7)
CONCRETE MIX 3A41HE	REINFORCEMENT NO 5 BARS (EPOXY COATED)	SAWING CONCRETE PAVEMENT (FULL DEPTH)	REMOVE CONCRETE PAVEMENT
DIMENSIONS	7"	DRILL & GROUT NO. 4 TIE BARS	
L X W	SQ FT		
6.0' x 5.0'	26.0		



CONCRETE INLET PAD
 ADJACENT TO MEDIAN BARRIER

SAMPLE PLAN

LIST OF ITEMS FOR EACH		(5)	(7)
CONCRETE MIX 3A41HE	REINFORCEMENT NO 5 BARS (EPOXY COATED)	SAWING CONCRETE PAVEMENT (FULL DEPTH)	REMOVE CONCRETE PAVEMENT
DIMENSIONS	6"	REMOVE INTEGRANT CURB	CONSTRUCT D4 OR B4 INTEGRANT CURB
L X W	SQ FT	DRILL & GROUT NO. 4 TIE BARS	
6.0' x 5.0'	26.0		



CONCRETE INLET PAD
 ADJACENT TO INTEGRANT CURB

SAMPLE PLAN

- ① 0.0' TO 1.0' ADJUSTING RINGS. MORTAR BETWEEN CASTING AND RINGS AND STRUCTURE AND RINGS. (INCIDENTAL)
- ② INPLACE OR NEW DRAINAGE STRUCTURE.
- ③ APPLIES NEXT TO MEDIAN BARRIER.
- ④ SEE MISCELLANEOUS DRAINAGE STRUCTURE ITEMS TABULATION ON SHT. NO. 21 TO 30.
- ⑤ APPLIES NEXT TO INTEGRANT CURB.
- ⑥ RAMP PAVEMENT 9" CONCRETE INP.; MAINLINE CONCRETE PAVEMENT 10" INP. WEST OF RIVER 11" INP. EAST OF RIVER.
- ⑦ ALL ITEMS ARE INCLUDED IN CONCRETE INLET PAD PAY ITEM.

CONSTRUCTION PLAN DETAILS

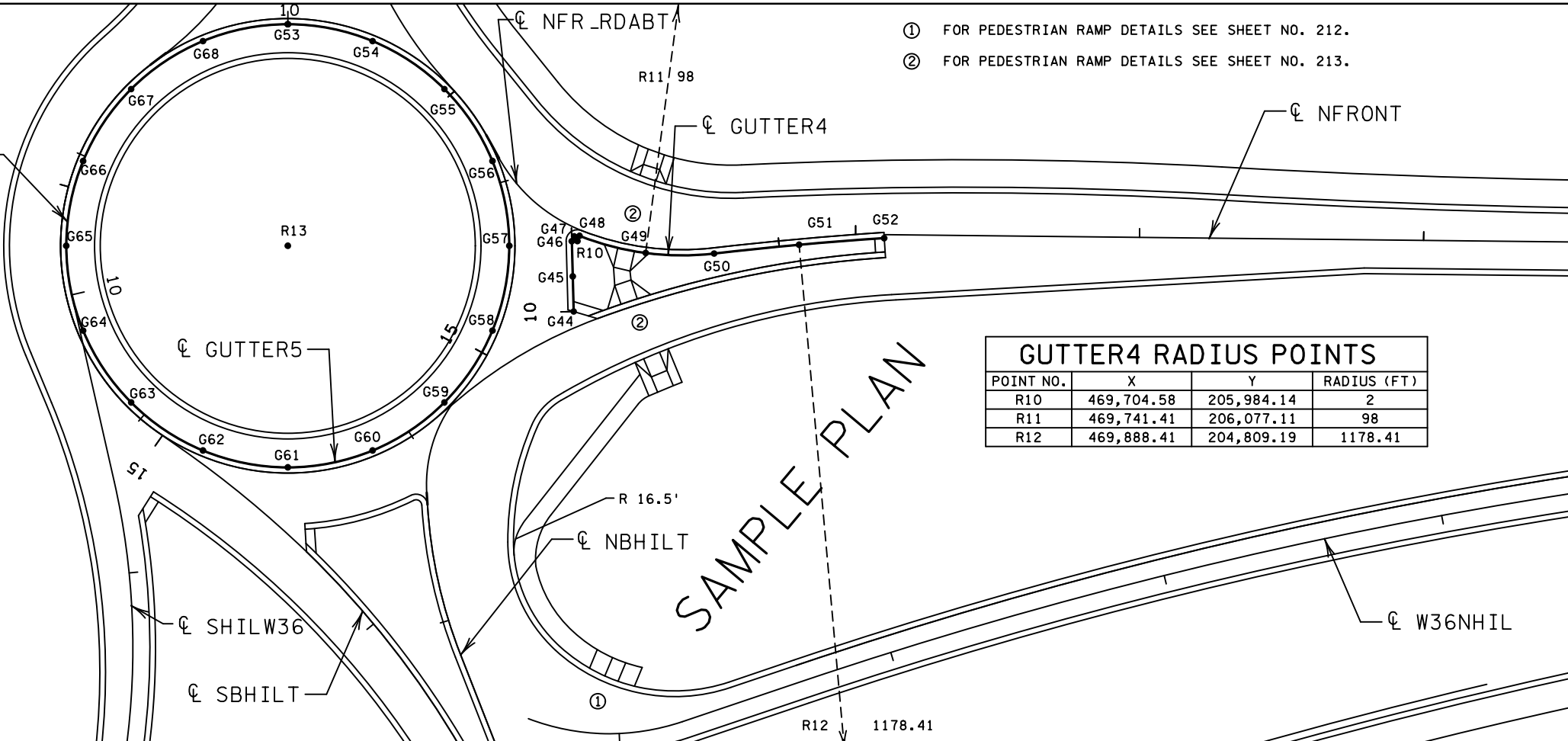
REVISION DATE 05/01/19
 PLOTTED/REVISED: 23-OCT-2019



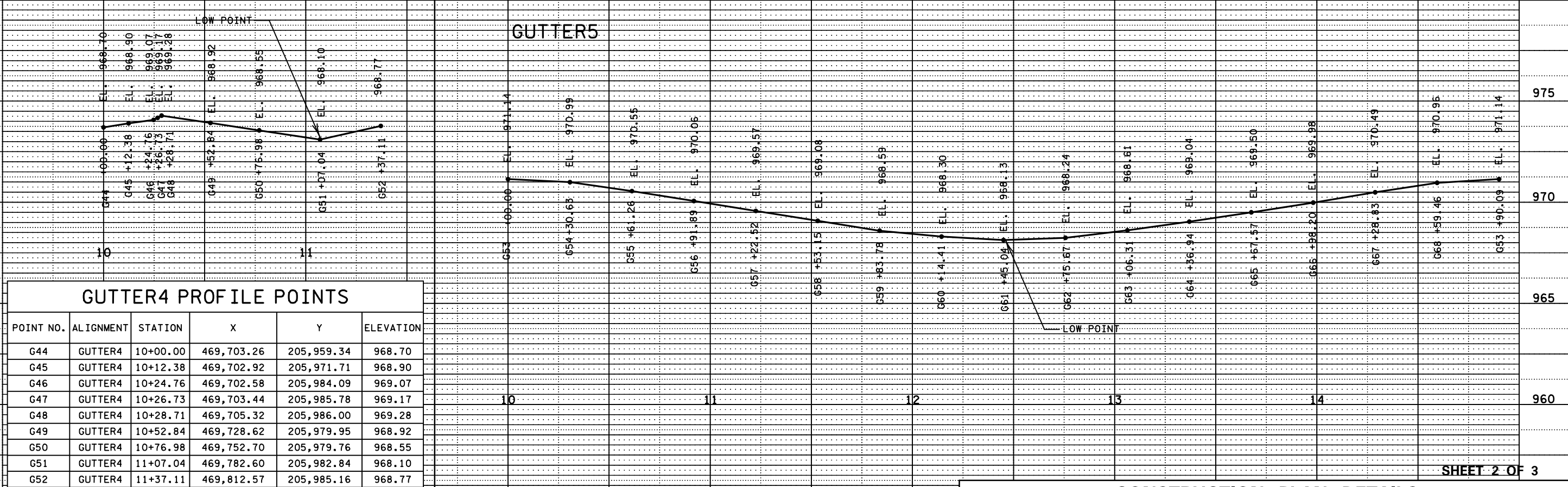
GUTTER5 RADIUS POINTS			
POINT NO.	X	Y	RADIUS (FT)
R13	469,602.60	205,982.49	78

GUTTER5 PROFILE POINTS					
POINT NO.	ALIGNMENT	STATION	X	Y	ELEVATION
G53	GUTTER 5	10+00.00	469,602.60	206,060.49	971.14
G54	GUTTER 5	10+30.63	469,632.44	206,054.55	970.99
G55	GUTTER 5	10+61.26	469,657.75	206,037.64	970.55
G56	GUTTER 5	10+91.89	469,674.66	206,012.33	970.06
G57	GUTTER 5	11+22.52	469,680.60	205,982.49	969.57
G58	GUTTER 5	11+53.15	469,674.66	205,952.64	969.08
G59	GUTTER 5	11+83.78	469,657.75	205,927.33	968.59
G60	GUTTER 5	12+14.41	469,632.44	205,910.42	968.30
G61	GUTTER 5	12+45.04	469,602.60	205,904.49	968.13
G62	GUTTER 5	12+75.67	469,572.75	205,910.42	968.24
G63	GUTTER 5	13+06.31	469,547.44	205,927.33	968.61
G64	GUTTER 5	13+36.94	469,530.53	205,952.64	969.04
G65	GUTTER 5	13+67.57	469,524.60	205,982.49	969.50
G66	GUTTER 5	13+98.20	469,530.53	206,012.33	969.98
G67	GUTTER 5	14+28.83	469,547.44	206,037.64	970.49
G68	GUTTER 5	14+59.46	469,572.75	206,054.55	970.96
G53	GUTTER 5	14+90.09	469,602.60	206,060.49	971.14

- ① FOR PEDESTRIAN RAMP DETAILS SEE SHEET NO. 212.
- ② FOR PEDESTRIAN RAMP DETAILS SEE SHEET NO. 213.



GUTTER4 RADIUS POINTS			
POINT NO.	X	Y	RADIUS (FT)
R10	469,704.58	205,984.14	2
R11	469,741.41	206,077.11	98
R12	469,888.41	204,809.19	1178.41



GUTTER4 PROFILE POINTS					
POINT NO.	ALIGNMENT	STATION	X	Y	ELEVATION
G44	GUTTER4	10+00.00	469,703.26	205,959.34	968.70
G45	GUTTER4	10+12.38	469,702.92	205,971.71	968.90
G46	GUTTER4	10+24.76	469,702.58	205,984.09	969.07
G47	GUTTER4	10+26.73	469,703.44	205,985.78	969.17
G48	GUTTER4	10+28.71	469,705.32	205,986.00	969.28
G49	GUTTER4	10+52.84	469,728.62	205,979.95	968.92
G50	GUTTER4	10+76.98	469,752.70	205,979.76	968.55
G51	GUTTER4	11+07.04	469,782.60	205,982.84	968.10
G52	GUTTER4	11+37.11	469,812.57	205,985.16	968.77

DISTRICT #: Metro
 IPLOT NAME: constdef
 FILENAME: Projects\DM_R0S\Mon_Proj\Design\SamplePlan\Eng\Ish\constdef.dgn

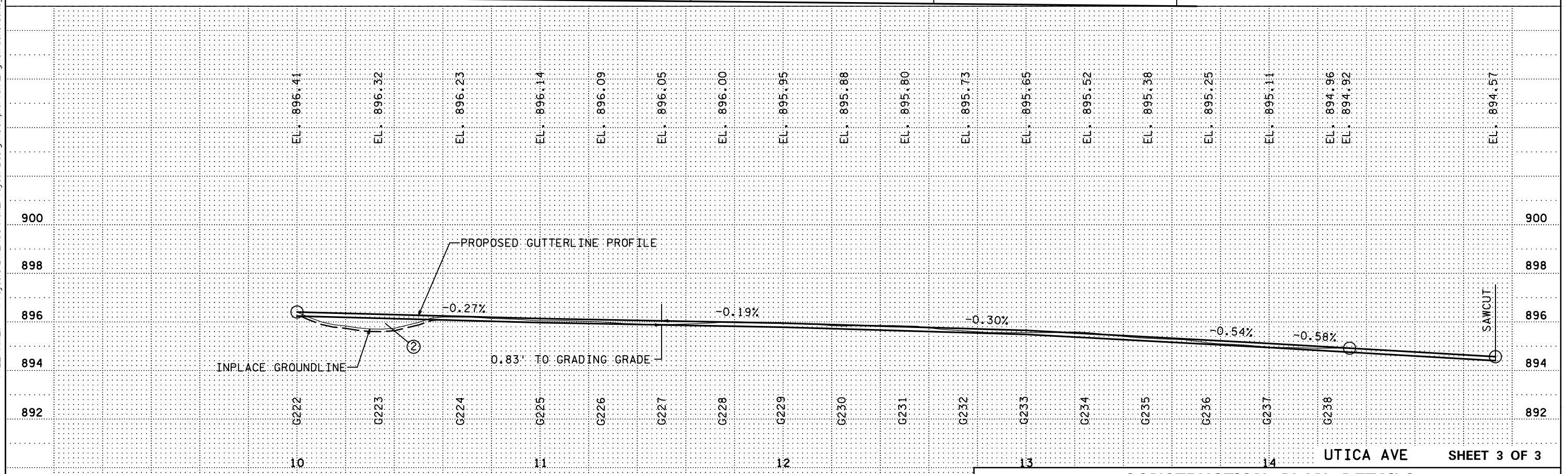
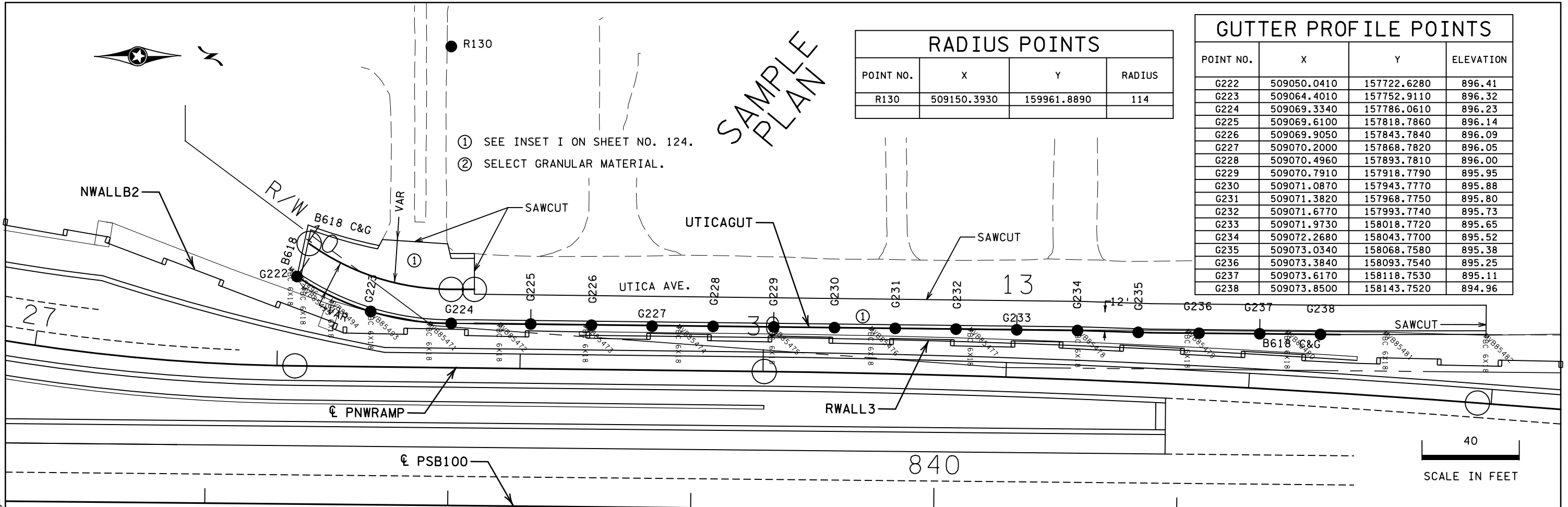
CONSTRUCTION PLAN DETAILS

REVISION DATE 10/23/19
 PLOTTED/REVISED: 23-OCT-2019

SAMPLE PLAN

POINT NO.	X	Y	RADIUS
R130	509150.3930	159961.8890	114

POINT NO.	X	Y	ELEVATION
G222	509050.0410	157722.6280	896.41
G223	509064.4010	157752.9110	896.32
G224	509069.3340	157786.0610	896.23
G225	509069.6100	157818.7860	896.14
G226	509069.9050	157843.7840	896.09
G227	509070.2000	157868.7820	896.05
G228	509070.4960	157893.7810	896.00
G229	509070.7910	157918.7790	895.95
G230	509071.0870	157943.7770	895.88
G231	509071.3820	157968.7750	895.80
G232	509071.6770	157993.7740	895.73
G233	509071.9730	158018.7720	895.65
G234	509072.2680	158043.7700	895.52
G235	509073.0340	158068.7580	895.38
G236	509073.3840	158093.7540	895.25
G237	509073.6170	158118.7530	895.11
G238	509073.8500	158143.7520	894.96



DISTRICT #: Metro
 PLOT NAME: constdef
 FILENAME: Projects\DM_R05\Work\Project\Design\SamplePlan\English\constdef.dgn

DRAWN BY: GLJ

CHECKED BY: HS

CERTIFIED BY

Will D. Zine
 LICENSED PROFESSIONAL ENGINEER

LIC. NO. 00000 DATE 1/31/18

STATE PROJ. NO. 0000-00 (T.H. 00) SHEET NO. 41 OF 84 SHEETS

CONSTRUCTION PLAN DETAILS

UTICA AVE SHEET 3 OF 3