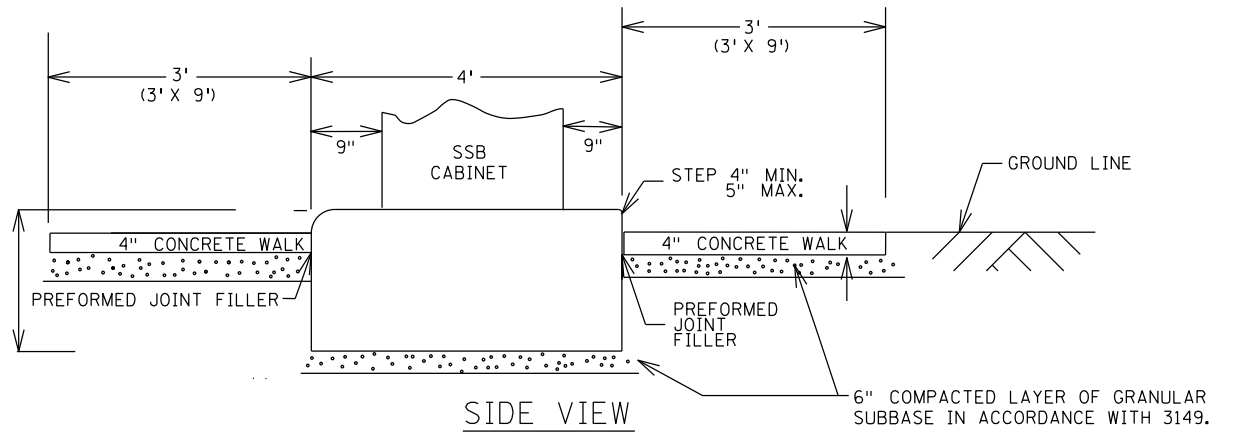
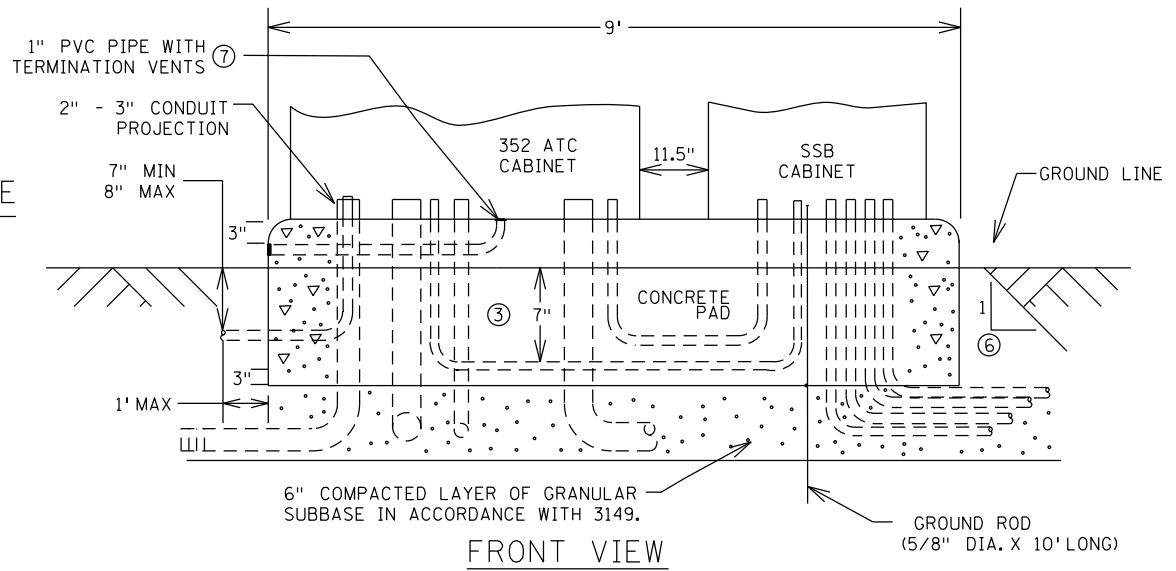
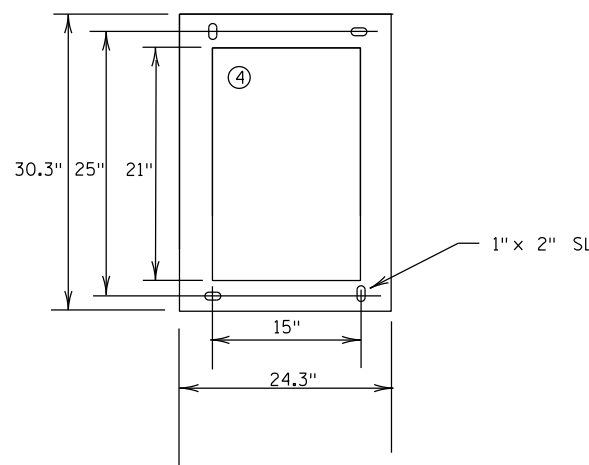
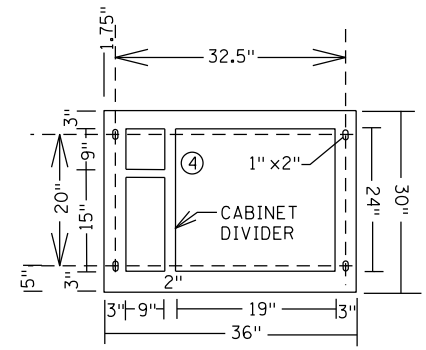
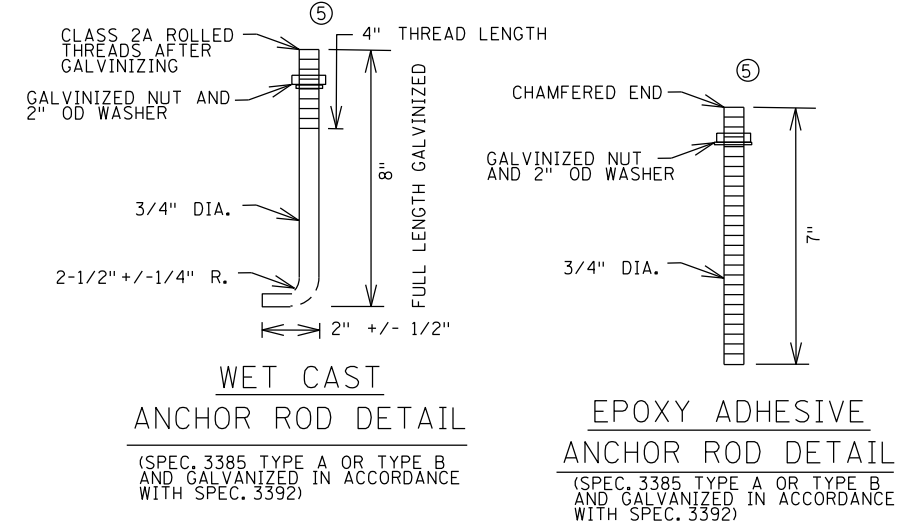
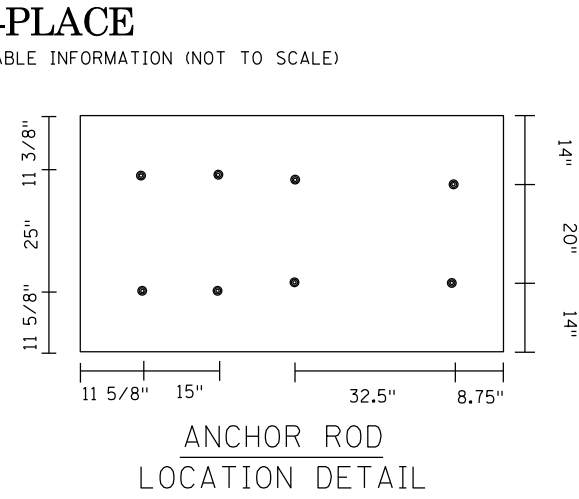
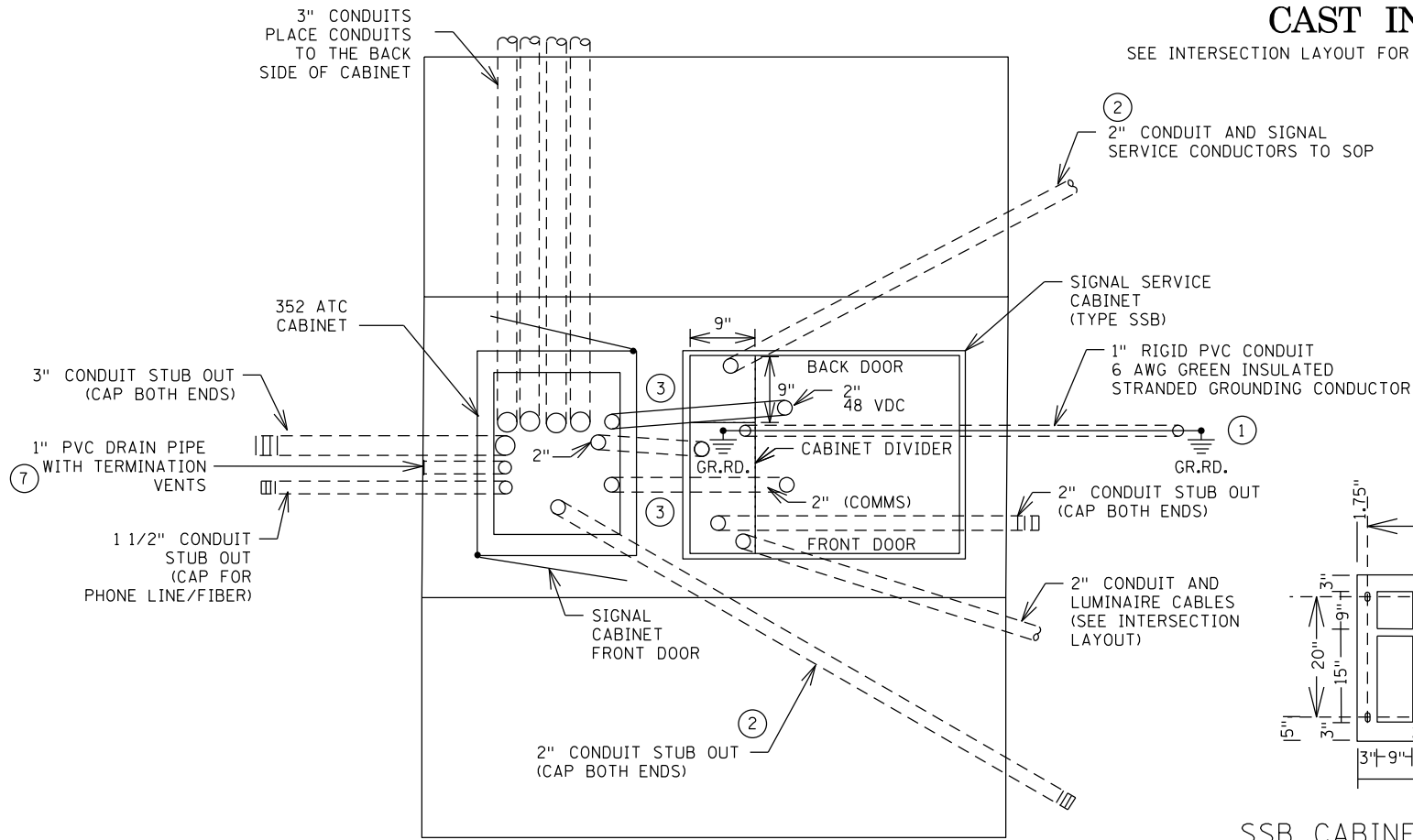


352 ATCC AND SSB CABINET EQUIPMENT PAD CAST IN-PLACE

SEE INTERSECTION LAYOUT FOR CABLE INFORMATION (NOT TO SCALE)



NOTES:

- FOR THE EQUIPMENT PAD USE CONCRETE MIX 3G52 WITH APPROVED MACRO NON-METALLIC FIBERS FOR REINFORCEMENT LISTED ON MDOT'S APPROVED/QUALIFIED PRODUCTS LIST UNDER CONCRETE "NONMETALLIC FIBERS (BRIDGE APPLICATIONS). ADD FIBERS TO THE CONCRETE MIX IN ACCORDANCE WITH THE NON-METALLIC FIBERS MANUFACTURERS INSTRUCTIONS AND CONTRACT DOCUMENTS.
- FOR CONCRETE WALK USE CONCRETE MIX 3G52. 3G52 CONCRETE MIX WITH NON-METALLIC FIBERS MAY BE USED FOR THE CONCRETE WALK AND POLE FOUNDATIONS. DO NOT USE NON-METALLIC FIBERS AS A SUBSTITUTE FOR THE REQUIRED REINFORCEMENT IN ACCORDANCE WITH THE POLE FOUNDATION STANDARD PLATES.
- ① PLACE A GROUNDING ELECTRODE SYSTEM IN ACCORDANCE WITH THE GROUNDING ELECTRODE SYSTEM DETAIL ON SHEET 3 OF STANDARD PLATE NUMBER 8106 EXCEPT FURNISH AND INSTALL 10 FOOT LONG GROUND ROD ELECTRODES, 6 AWG GREEN INSULATED COPPER CONDUCTOR AND EXOTHERMIC WELDED CONNECTIONS.
- ② CONDUIT SIZE, QUANTITY AND DIRECTION MAY VARY. FURNISH AND INSTALL CONDUITS AS SPECIFIED ON THE INTERSECTION LAYOUT PLAN SHEET.
- ③ ENSURE THE CONDUITS FULLY ENCASED IN CONCRETE FROM ONE CABINET TO THE OTHER ARE PLACED AT THE CORRECT DEPTH AND LOCATION TO AVOID INTERFERENCE WITH THE INSTALLATION OF THE ANCHOR RODS.
- ④ USE TEMPLATES OF WITH THE DIMENSIONS SHOWN INCLUDING OPENINGS, DIVIDERS, ANCHOR ROD HOLES AS A GUIDE TO ENSURE PROPER PLACEMENT OF THE CABINETS, CONDUITS AND ANCHOR RODS.
- ⑤ PLACE ANCHORS 1 3/4 INCHES - 2 1/4 INCHES ANCHOR ROD PROJECTION ABOVE THE CONCRETE PAD. FURNISH AND INSTALL ANCHOR RODS SHOWN IN THE ANCHOR ROD DETAIL FOR WET CASTING ANCHORS IN WET CONCRETE. FURNISH AND INSTALL ANCHOR RODS SHOWN IN THE ANCHOR ROD DETAIL FOR EPOXY ADHESIVE IF USING ADHESIVE ANCHORS. INSERT ANCHOR RODS IN 7/8 INCH DIAMETER DRILLED HOLES, 5 INCHES DEEP WITH AN APPROVED EPOXY ADHESIVE LISTED ON MDOT'S APPROVED/QUALIFIED PRODUCTS LIST (ACCESSIBLE PEDESTRIAN SIGNAL PUSH BUTTON BASE ADHESIVE ANCHORING). DO NOT USE MECHANICAL OR CONCRETE WEDGE ANCHORS.
- ⑥ IF THE SITE CONDITIONS REQUIRE THE PAD TO BE PLACED WITHIN A SLOPE, INCREASE THE THICKNESS OF THE PAD BY 6 INCHES. SHAPE THE TERRAIN AROUND THE PAD FOR POSITIVE DRAINAGE.
- ⑦ FURNISH AND INSTALL A DRAIN IN THE PAD USING 1 INCH PVC SCH. 40 PIPE FOR PLUMBING. PLACE PVC TERMINATION VENT SCREEN DESIGNED FOR PVC PIPE AT EACH END OF THE PIPE. PROVIDE PVC TERMINATION VENTS WITH A STAINLESS STEEL SCREEN. ENSURE THE TERMINATION VENT SCREEN AND PIPE ARE FLUSH WITH THE TOP AND SIDE OF THE PAD AND PROTECT FROM CONCRETE INTRUSION BEFORE CONCRETE PLACEMENT OPERATIONS.

PLOTTED/REVISED: \$\$\$@DATE@\$\$\$

DISTRICT #: \$\$\$@DISTRICT@\$\$
PLOT NAME: \$\$\$@PLOT\$NAME@\$\$
PATH & FILENAME: \$\$\$@PATH\$FILENAME@\$\$\$

BY	DATE	REVISIONS	SYSTEM ID: _____ T.E. _____	352 ATCC EQUIPMENT PAD LAYOUT (TYPE SSB SERVICE CABINET)	S.A.P. NO. _____	DRAWN BY: _____	CKD BY: _____	DATE: 05-26-20
			METER ADDRESS: _____		CERTIFIED BY: _____	LICENSED PROFESSIONAL ENGINEER		LIC. NO. _____ DATE: _____
			OLD SYSTEM ID: _____		STATE PROJ. NO. _____ (T.H. _____)	SHEET NO. _____ OF _____ SHEETS		