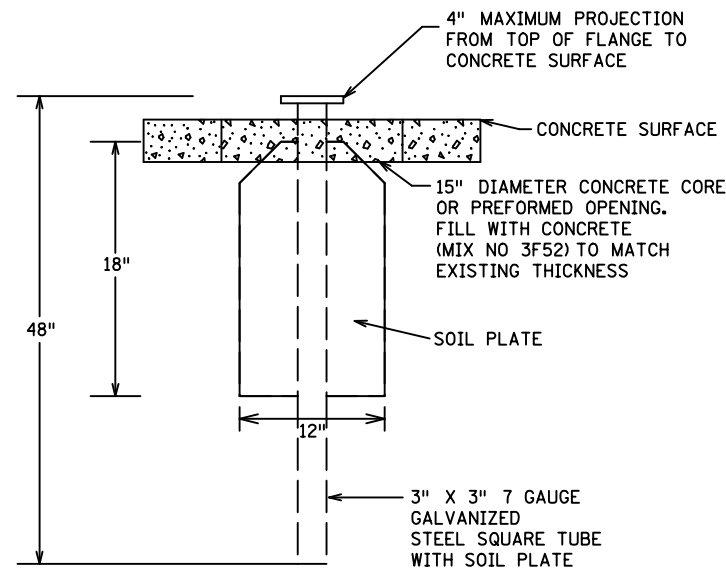
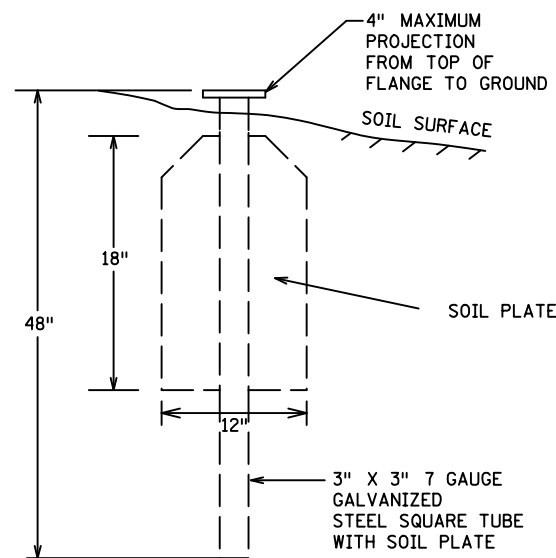


PLOTTED/REVISED: 4-MAY-2021

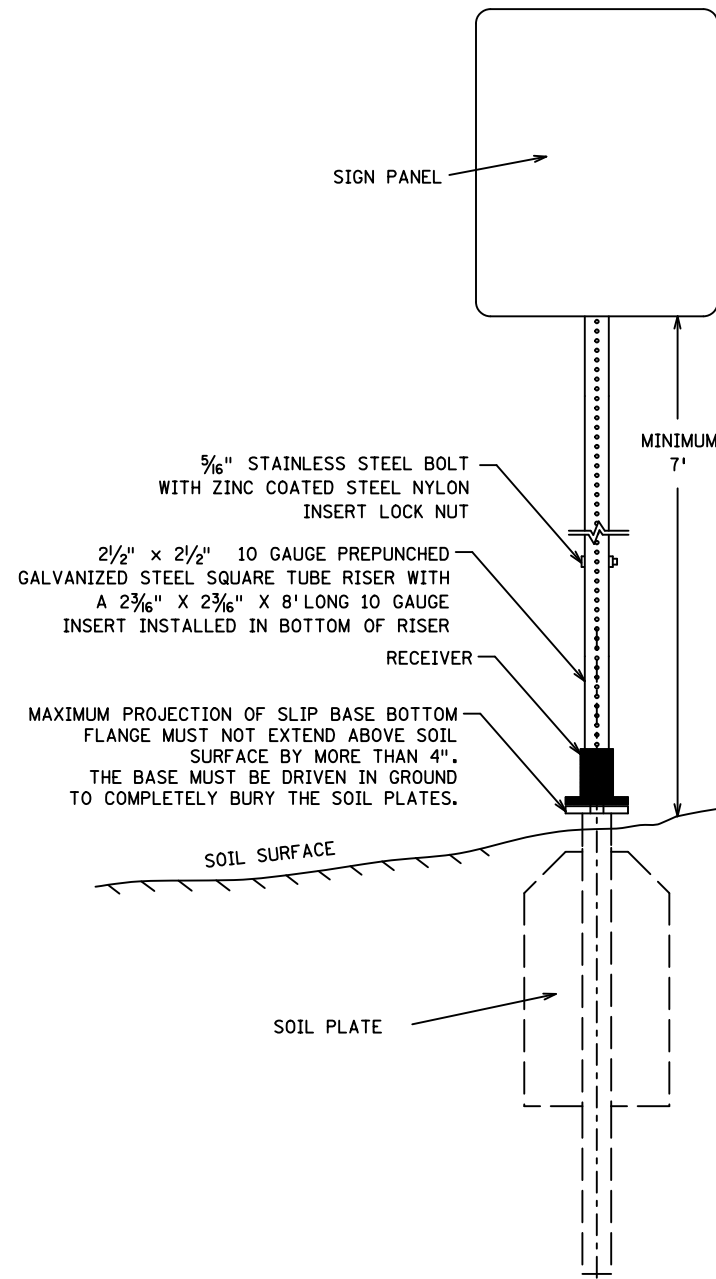
PLOT NAME: SLIP BASE DETAIL VERSION
 PATH & FILENAME: OTST\Signing\Typicals\Standard Plans\DETAIL Versions of Std Plans\SLIP BASE DETAIL VERSION.dgn



SLIP BASE CORED THROUGH CONCRETE DETAIL



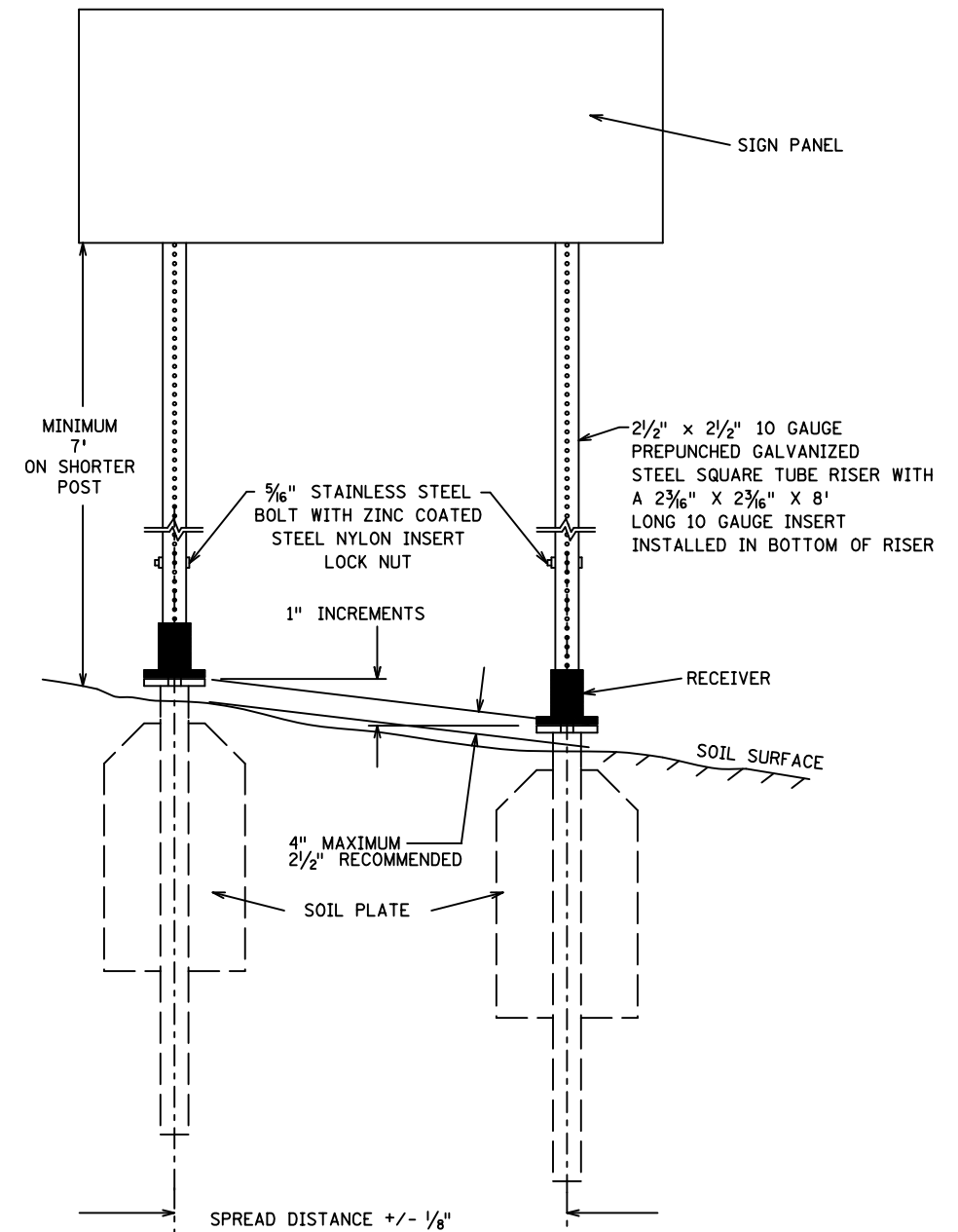
SLIP BASE IN SOIL DETAIL



SLIP BASE
 (TYPICAL PLACEMENT IN SOIL SHOWN)

NOTES:

1. THE CRASH RESPONSE TYPE FOR THIS STRUCTURE IS BREAKAWAY.
2. TO MEET CRASHWORTHY REQUIREMENTS THE DISTANCE BETWEEN THE BOTTOM OF THE PRIMARY SIGN PANEL AND THE GROUND SURFACE BELOW ANY PORTION OF THE PRIMARY SIGN PANEL MUST BE A MINIMUM OF 7 FEET. SEE TABULATIONS FOR MOUNTING HEIGHT.
3. FOR SLIP BASE USE APPROVED PRODUCT FROM MNDOT APPROVED PRODUCTS LIST. PRODUCTS SHALL BE MODIFIED AS SHOWN.
4. 1/16" THICK LEVELING SHIMS MAY BE USED TO PLUMB TOP HALF. SHIMS NEED TO BE PLACED UNDER TEFLON COATED SLIP WASHER MAXIMUM OF 2 SHIMS PER NOTCH POINT.
5. FOR SIGN PANEL MOUNTING DETAILS SEE SQUARE TUBE SIGN MOUNTING DETAILS.
6. SQUARE TUBE SIGN POST PER MNDOT SPEC. 3402.



FOR MULTIPLE POST APPLICATIONS, ENSURE SOIL PLATES ARE COMPLETELY BURIED, IF SOIL SURFACE IS NOT LEVEL THE BASES MUST BE DRIVEN IN UNTIL BASES ARE OFFSET IN 1 INCH INCREMENTS. THE BASES MUST BE TRUE AND SQUARE WITH ONE ANOTHER TO ENSURE PROPER UNRESTRICTED INSERTION OF STEEL TUBE RISERS. SIGN PANELS SHALL BE MOUNTED LEVEL.

MULTIPLE POST SLIP BASE DETAIL

REV 5/04/21

SLIP BASE
 FOR 2 1/2 INCH SQUARE TUBE RISER POST