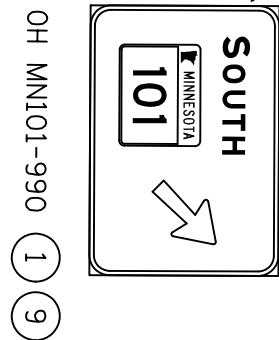
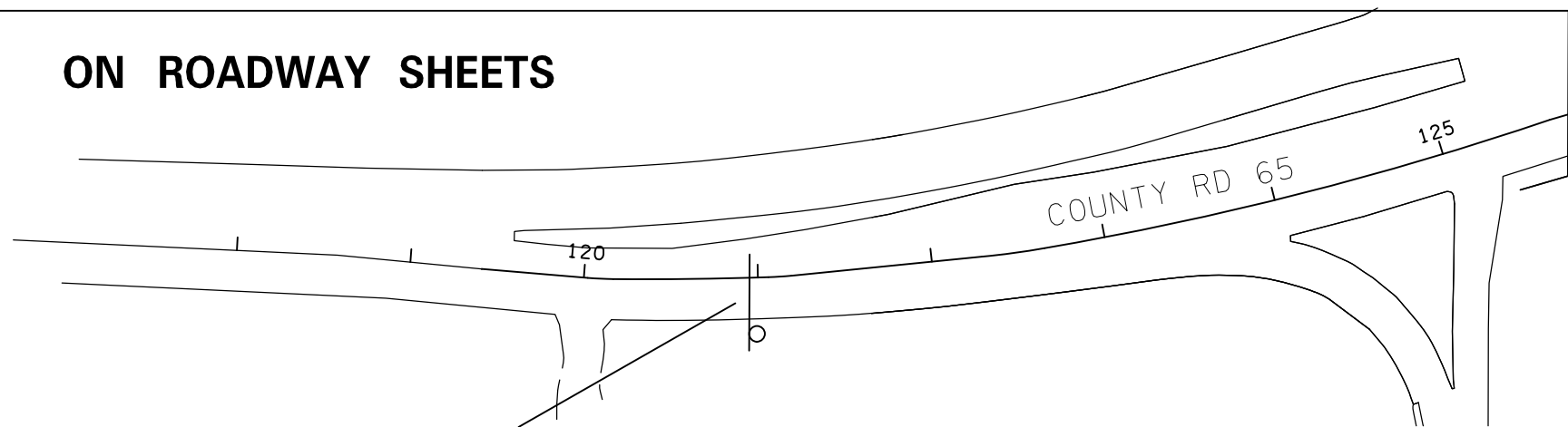


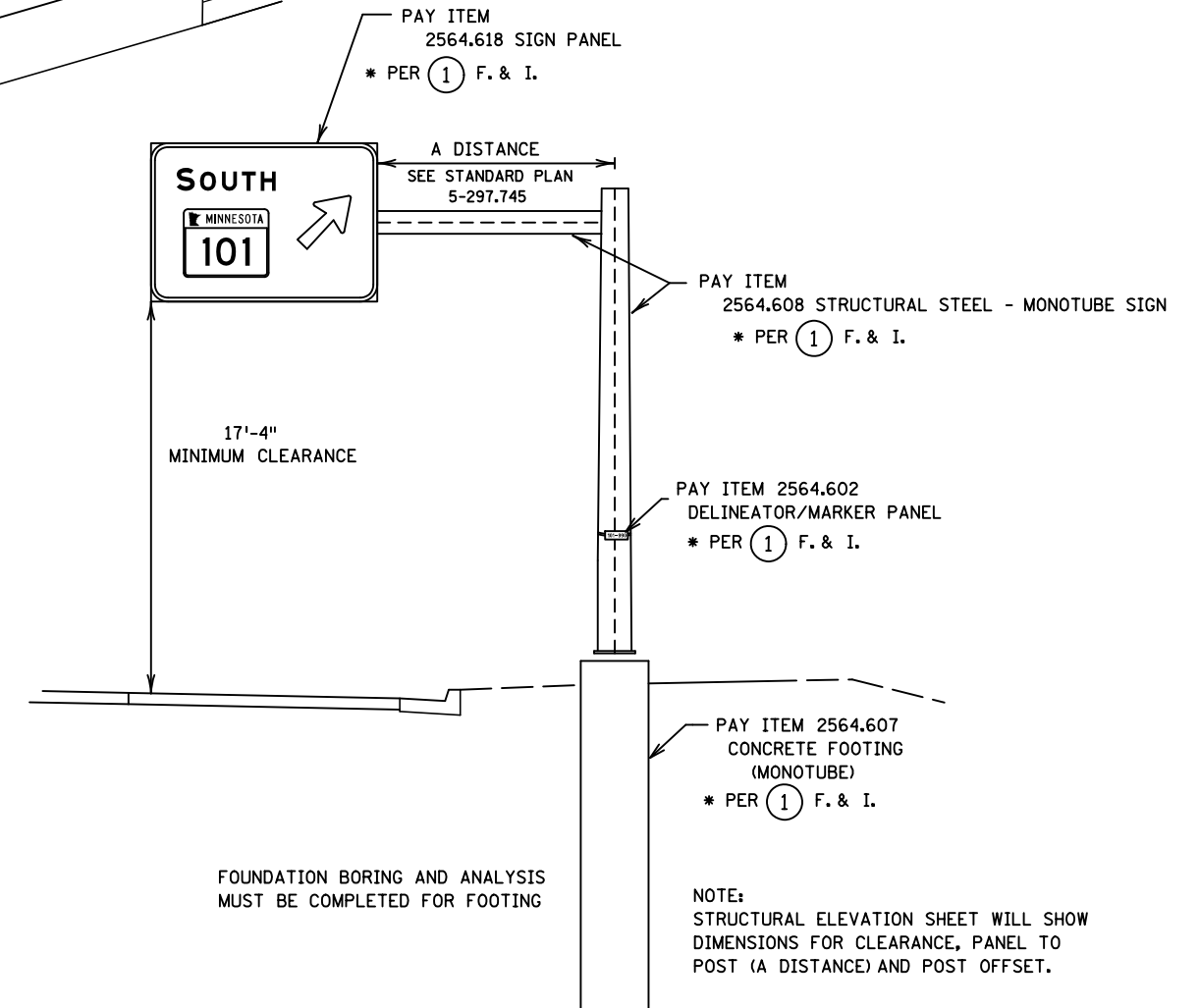
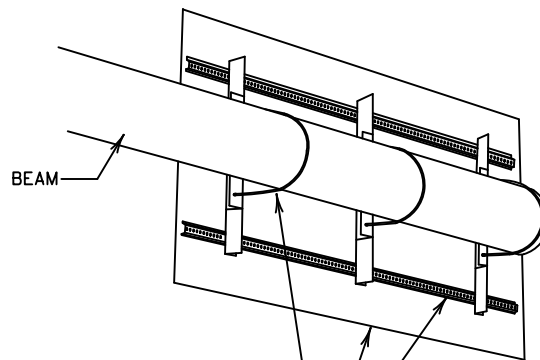
ON ROADWAY SHEETS



NOTES:

- ① F. & I.
- ⑨ F. & I. OH SIGN ID PLATE

REAR VIEW OF SIGN PANEL



FOUNDATION BORING AND ANALYSIS MUST BE COMPLETED FOR FOOTING

IN TABULATIONS

SIGN AND DELINEATOR / MARKER										ST-A
SIGN NUMBER	PANEL CODE	LEGEND	PANEL			TYPE	SUPPORT		SIGN PANEL	DELINEATOR /MARKER PANEL
			SIZE (W x H)	MOUNTING HEIGHT	A DISTANCE		RISER POST SIZE	NUMBER OF POSTS		
			INCH	FEET	FEET		INCHES			
OH MN101-990	P1	SOUTH MN101R 45 DEGREE	120 x 90		10.5	MONOTUBE			75.00	
OH MN101-990	X2-1	101-990	12 x 6	4		R				1
TOTAL									75	1

I-BEAM, MONOTUBE AND OVERHEAD SIGN STRUCTURE QUANTITIES		ST-D
SIGN SUPPORT NUMBER	STRUCTURAL STEEL-MONOTUBE SIGN	CONCRETE FOOTING (MONOTUBE)
		POUND
OH MN101-990	5362	5
TOTAL	5362	5

GENERAL NOTE(S):

1. QUANTITIES SHOWN ARE APPROXIMATE BASED UPON ELEVATIONS AND DIMENSIONS SHOWN IN SIGNING STRUCTURE ELEVATIONS. FABRICATIONS DEPENDENT ON THESE ELEVATIONS SHALL NOT BE STARTED UNTIL THE ENGINEER HAS MADE FINAL DETERMINATION OF THEM IN THE FIELD.
2. SEE STRUCTURE ELEVATIONS SHEETS FOR DETAILS.
3. SEE FOUNDATION SPECIAL TABULATION AND CONCRETE BASE REPAIR LIST FOR MORE INFORMATION ON FOUNDATION SPECIAL OH.

F. & I. MONOTUBE SIGN

FIELD WORK REQUIRED:

- F. & I. FOUNDATION
- F. & I. POST
- F. & I. TRUSS/BEAM
- F. & I. FLAT SHEET ALUMINUM SIGN PANEL
- F. & I. STRINGERS/ROUND POST MOUNTING

PAY ITEMS FOR THIS WORK:

- 2564.602 DELINEATOR/MARKER PANEL
- 2564.607 CONCRETE FOOTING (MONOTUBE)
- 2564.608 STRUCTURAL STEEL - MONOTUBE SIGN
- 2564.618 SIGN PANEL

SIGNING PLAN SHEETS TO INCLUDE:

- PANEL LAYOUT DESIGN - REQUIRED
- STRUCTURE ELEVATIONS - REQUIRED

STANDARD PLANS TO BE INCLUDED:

- 5-297.730 SIGN MOUNTING SYSTEMS FOR ROUND SUPPORTS
- 5-297.745 TO 5-297.749 MONOTUBE OVERHEAD SIGN STRUCTURES